

# Cable Management

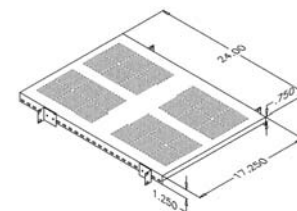
Modular Enclosure Options and Accessories

## Enclosure Shelves

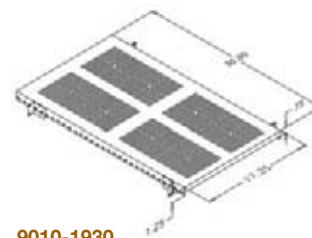
### Enclosure Shelves

Modular Enclosure Shelves are available in widths of 19" and 23" with mounting depths of 24", 30" and 36". Load ratings range from 70 lbs up to 200 lbs. All shelves are black in color unless otherwise noted. All shelves includes 10-32 mounting screws and nylon washers.

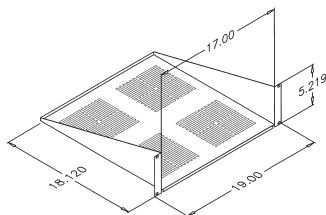
### 19" Shelves



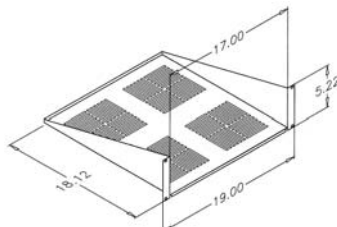
9010-1924



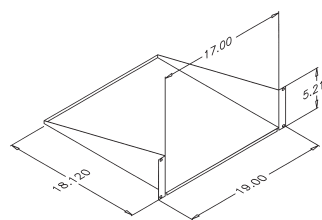
9010-1930



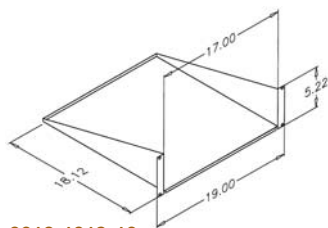
9011-1918



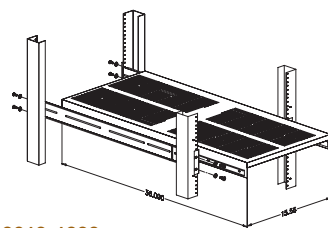
9011-1918-16



9012-1918



9012-1918-16



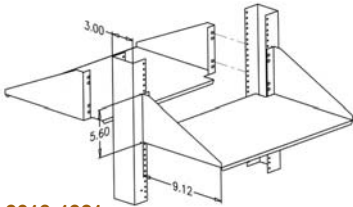
9013-1936

DESCRIPTION	ORDERING NUMBER
19" Heavy-Duty Adjustable Shelf (Vented), 4 Point Mounting, 24" Depth, 150 lb Load Rating	9010-1924
19" Heavy Duty Adjustable Shelf (Vented), 4 Point Mounting, 30" Depth, 150 lb Load Rating	9010-1930
19" Heavy Duty Adjustable Shelf (Vented), 4 Point Mounting, 36" Depth, 150 lb Load Rating	9010-1936
19" Flush Mount Cantilevered Shelf (Vented), 12" Depth, Fits 24" Wall Mount, 70 lb Load Rating	9011-1912
19" Flush Mount Cantilevered Shelf (Vented), 18" Depth, 75 lb Load Rating	9011-1918
19" Flush Mount Cantilevered Shelf (Vented), 18" Depth, 50 lb Load Rating	9011-1918-16
19" Flush Mount Cantilevered Shelf (Solid), 18" Depth, 75 lb Load Rating	9012-1918
19" Flush Mount Cantilevered Shelf (Solid), 18" Depth, 50 lb Load Rating	9012-1918-16

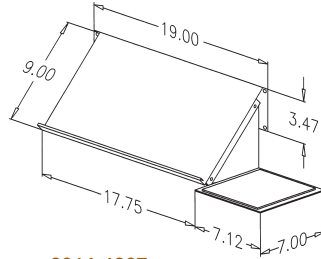
# Cable Management

Modular Enclosure Options and Accessories

## Enclosure Shelves (continued)



9016-1921



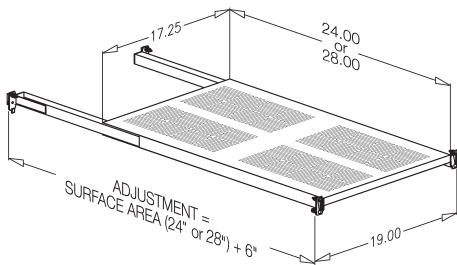
9014-1907



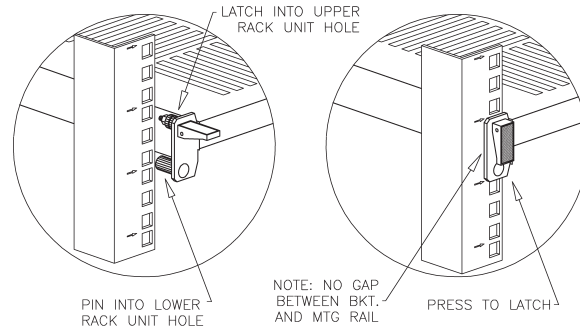
9015-1909

DESCRIPTION	ORDERING NUMBER
19" Heavy Duty Sliding Adjustable Shelf (Vented), 4 Point Mounting, 24" Depth, 200 lb Load Rating	9015-1924
19" Heavy Duty Sliding Adjustable Shelf (Vented), 4 Point Mounting, 24" Depth, 100 lb Load Rating	9013-1924
19" Heavy Duty Sliding Adjustable Shelf (Vented), 4 Point Mounting, 30" Depth, 100 lb Load Rating	9013-1930
19" Heavy Duty Sliding Adjustable Shelf (Vented), 4 Point Mounting, 36" Depth, 100 lb Load Rating	9013-1936
19" Keyboard Shelf (Fixed Front of Mounting Rail with Mouse Pad)	9014-1907
19" Drawer, Monitor and Keyboard Shelf	9015-1902
19" Sliding Rotating Keyboard Shelf	9015-1909
19" Center Mount Shelf Kit (2-shelves), 21" Depth, Aluminum, 100 lb Load Rating	9016-1921
19" Center Mount Shelf Kit (2-shelves), 21" Depth, Black, 100 lb Load Rating	9016-1921-3
19" Drawer, Utility, 4U, 16" Depth	9017-0200
Pivot Cable Retractor	9309-0100

## 19" Quick Disconnect Shelves



9010-1930-Q



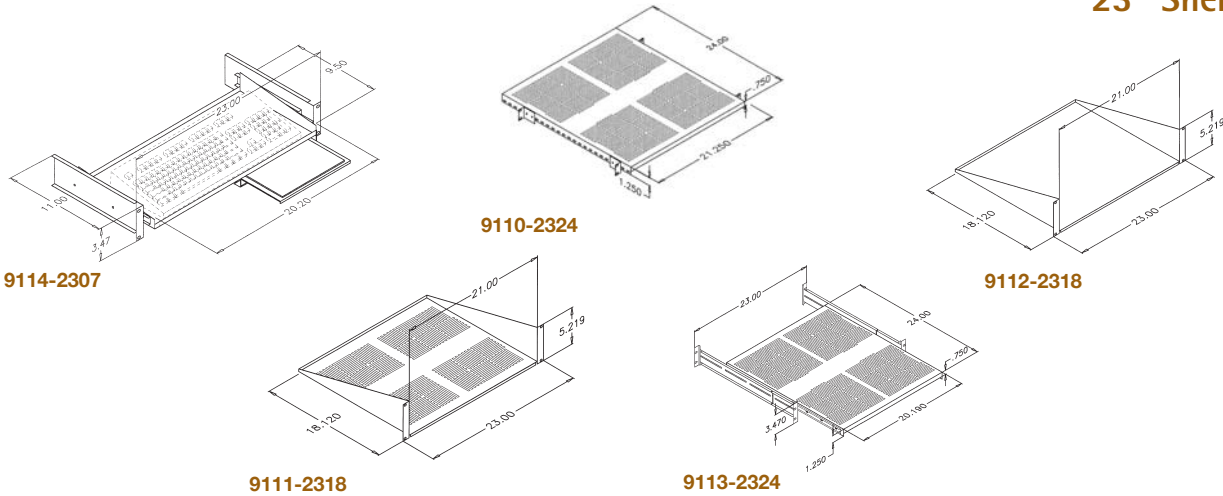
DESCRIPTION	ORDERING NUMBER
19" Quick Disconnect Shelf, 6 mm Mounting Rails, 24" Depth, 200 lb Load Rating	9010-1924-Q
19" Quick Disconnect shelf, 6 mm Mounting Rails, 24" Depth, 200 lb Load Rating	9010-1930-Q

# Cable Management

Modular Enclosure Options and Accessories

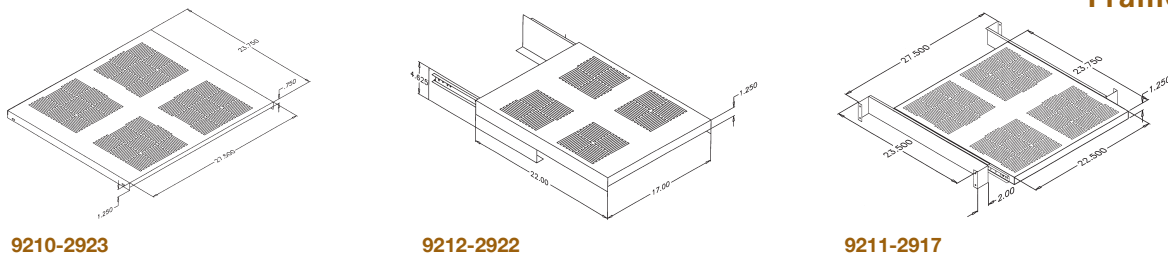
## Enclosure Shelves (continued)

### 23" Shelves



DESCRIPTION	ORDERING NUMBER
23" Heavy Duty Adjustable Shelf (Vented), 4 Point Mounting, 180 lb Load Rating	9110-2324
23" Flush Mount Cantilevered Shelf (Vented), 70 lb Load Rating	9111-2318
23" Flush Mount Cantilevered Shelf (Solid), 70 lb Load Rating	9112-2318
23" Heavy Duty Sliding Adjustable Shelf (Vented), 4 Point Mounting, 85 lb Load Rating	9113-2324
23" Sliding Keyboard Shelf with Mouse Pad	9114-2307

### Frame Shelves



DESCRIPTION	ORDERING NUMBER
27.5" Wide Side Mount Shelf (Vented) 23.75" Depth, 180 lb Load Rating	9210-2923
27.5" Wide Side Mount Shelf (Vented) 23.75" Depth, 90 lb Load Rating	9211-2917
17" Wide Bottom Mount Sliding Server Shelf (Vented) 22" Depth, 100 lb Load Rating	9212-2922

Modular Enclosure Options and Accessories