

Cable Management

Open Frame Racks and Accessories

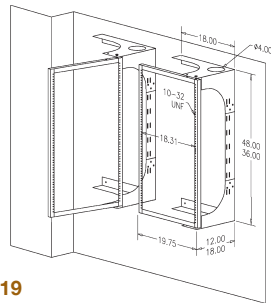
Wall Mount Rack

Wall Mount Rack

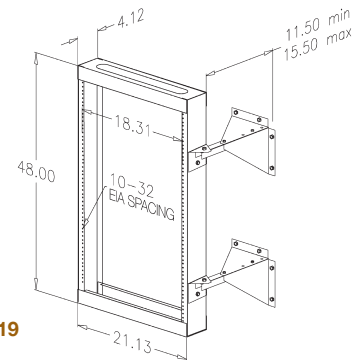
Wall Mount Racks are available in two styles: hinged and swing out. The hinged rack is 12" in height and features an adjustable lower shelf. The swing out rack is available in heights of 36" and 48" with 19" mounting rails. 2U, 4U and 6U Wall Mount Racks are also offered.



XWR-3619



XWR-4819



Swing out Distribution Racks – 19" x 48" Depth Range 11.5" - 15.5"

DESCRIPTION	WEIGHT	MOUNTING	ORDERING NUMBER
SWING OUT RACK			
36" Wall Mount Swing Out Rack, 19" Mounting Rails x 12" Fixed Depth	30 lb	18U	XWR-3619-12
36" Wall Mount Swing Out Rack, 19" Mounting Rails x 18" Depth	30 lb	18U	XWR-3619-18
48" Wall Mount Swing Out Rack, 19" Mounting Rails Adjustable 11.5 - 15.5"	39 lb	25U	XWR-4819
48" Wall Mount Swing Out Rack, 19" Mounting Rails x 12" Fixed Depth	39 lb	25U	XWR-4819-12
48" Wall Mount Swing Out Rack, 19" Mounting Rails x 18" Depth	39 lb	25U	XWR-4819-18



AX100785 Wall Mount Bracket, 2U



Hinged mounting for easy access

XWR-1219



Adjustable shelf 2" - 6"



AX102514

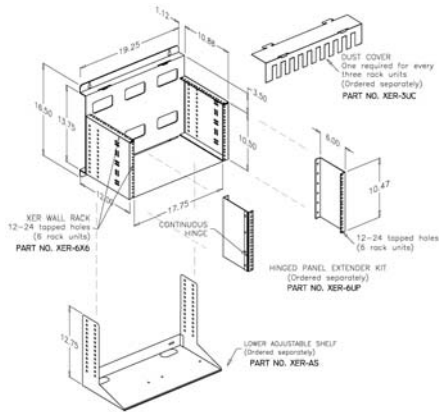
4U Wall Mount Bracket w/2U Swivel

DESCRIPTION	WEIGHT	MOUNTING	ORDERING NUMBER
HINGED RACK			
12" Wall Mount Rack, Hinged 19" Mounting Rails x 9" Fixed Depth	26 lb	6U	XWR-1219
WALL MOUNT BRACKET			
2U Wall Mount Bracket, Black	4 lb	2U	AX100785
4U Wall Mount Bracket, Black	8 lb	4U	AX100786
4U Wall Mount Bracket w/2U Swivel			AX102514

Cable Management

Open Frame Racks and Accessories

Wall Mount Rack (continued)



XER-6X6

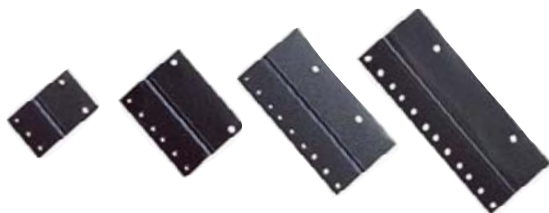


DESCRIPTION	WEIGHT	MOUNTING	ORDERING NUMBER
6U WALL MOUNT RACK			
6U Wall Mount Rack With 6U Top and 6U Front Rack Space, Tapped 12-24 EIA Bottom Accessory Shelf	17 lb	6"	XER-6X6
Front Mounted Swing-out Patch Panel Kit, 6U Single, 3U Space Top Dust Cover			XER-AS XER-6UP XER-3UC

Open Frame Rack Extender Brackets

Open Frame Rack Extender Brackets

The Open Frame Rack Extender Brackets are used to extend a 19" Panel/Equipment Mounting for 23".



Rack Extenders

DESCRIPTION	ORDERING NUMBER
1U 19" EIA To 23" Extender Bracket	9810-0100
2U 19" EIA To 23" Extender Bracket	9811-0200
3U 19" EIA To 23" Extender Bracket	9812-0300
4U 19" EIA To 23" Extender Bracket	9813-0400