

Easy Install® Speakers

SM1EZ, SM4T Surface-Mount Ceiling Speakers

The Easy Install Speaker drastically cuts system installation time because each speaker can be completely installed — mounted in the ceiling, secured, and connected — in less than a minute! This versatile speaker carries voice messages with clarity anywhere dependable communication is required. It can be installed in any drop ceiling with ceiling tiles...quick, easy, and trouble-free.

Product Features:

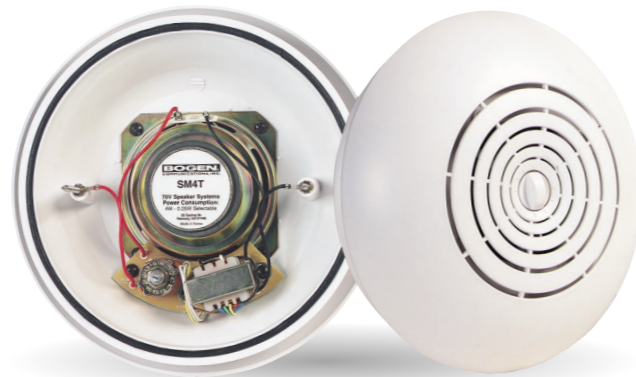
- **Installs in Seconds.** Each speaker assembly is specially designed for immediate installation as soon as you take it out of the box...complete installation takes less than a minute.
- **No-Tool Installation.** No additional equipment needed; everything you need is right in the box.
- **Contemporary, Low-Profile Design.** Looks good in any environment.
- **No Clean-Up.** Installation means piercing ceiling tiles, not cutting them. So, there's virtually no mess and no ceiling tile pieces to clean up.

Technical Specifications:

Dimensions:	9-1/2" Diameter
Depth:	3" (from tile surface)
Frequency Response:	125 Hz – 15 kHz
Sensitivity:	90 dBspl (1 watt @ 1 meter)
Product Weight:	2 lb. each
Shipping Weight:	15 lb. / carton (5/carton)

For use on 70V systems

Complies with NFPA National code 160b that allow speakers to be installed in plenums and other air handling spaces. Complies with UL-2043.

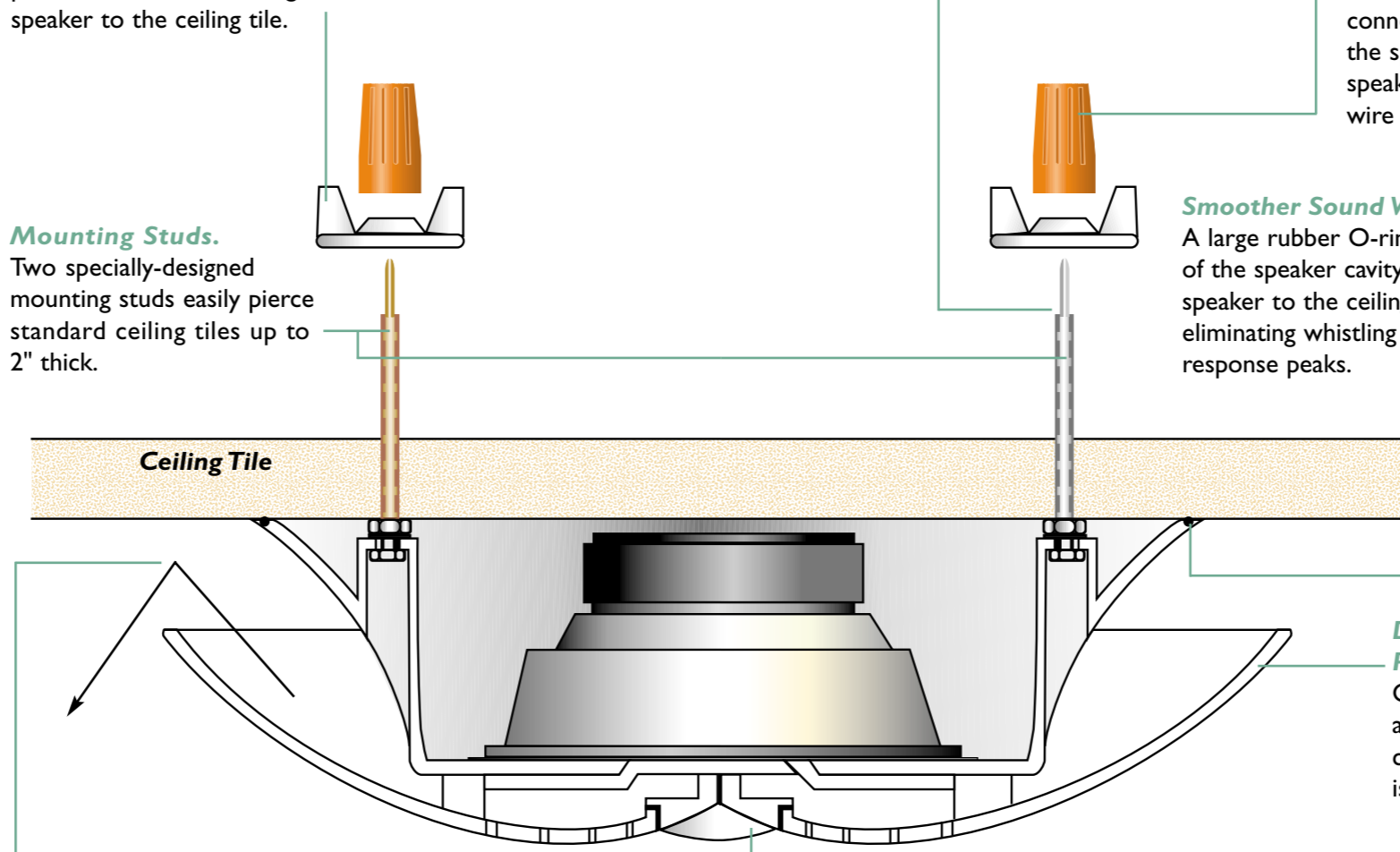


Model Variations:

- **SM1EZ** is a one-watt, single tap speaker.
- **SM4T** is a four-watt, multi-tap speaker with settings of 4, 2, 1, 1/2, and 1/4 watts. Settings are rotary-switch selectable (there are no transformer wires to deal with).

Wide-Based Wing Nuts. Two custom-designed, easy-to-handle wing nuts provide a secure mounting for the speaker to the ceiling tile.

Mounting Studs. Two specially-designed mounting studs easily pierce standard ceiling tiles up to 2" thick.



Easy Wiring. The two mounting studs make the electrical connection, and are color-coded for easy polarity identification (one is nickel-plated, the other is copper-plated).

Standard Wire Nuts. Make the electrical connection by attaching the speaker wire to the speaker with standard wire nuts.

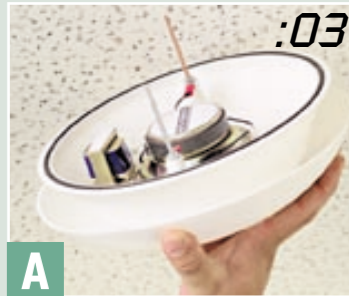
Smoother Sound Without Whistling. A large rubber O-ring seal at the base of the speaker cavity tightly seals the speaker to the ceiling tile surface, eliminating whistling and frequency response peaks.

Durable ABS Plastic Shell. Can be painted for applications where color coordination is a factor.

Wide Dispersion of Sound. A combination of direct and reflected sound paths produce a clear, wide dispersion of high-quality sound, even at higher frequencies where other speakers begin to beam. This enhances intelligibility and makes exact speaker placement less critical.

Wire-Wound Volume Control. A high-quality wire-wound volume control (standard) is an integral part of the design, so it's easily accessible but won't stand out. Volume adjustments can be made without going back into the ceiling.

INSTALLS IN SECONDS!



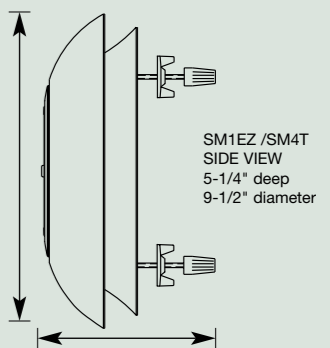
A The speaker's two specially-designed mounting studs easily pierce through the ceiling tile.



B Wide-based wing nuts secure the speaker assembly to the ceiling tile.



C Two standard wire nuts connect the speaker wires to the mounting studs, making the electrical connection. That's all it takes!



See pages 5-9 for system design.

Accessories



SMTB
Tile Bridge