



BLOCK SERIES:

BH Series: For use with Edison semiconductor and “bolt-in” fuses

Base: Light weight, high temperature thermoplastic

Mounting Studs: Plated steel

Nut: Plated steel

Washer: Spring steel

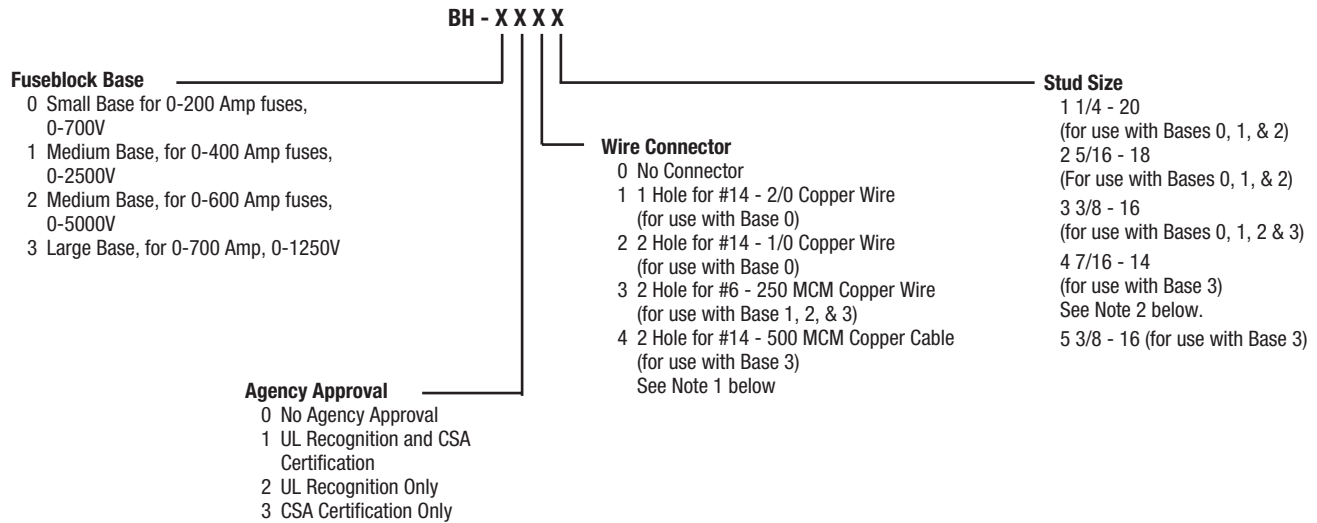
Agency Approvals:

UL Recognized, Guide EZLT2, File E14853 up to 700 Volts
 CSA Certified, Class 6225-01, File 47235 up to 700 Volts

Contact Edison for ordering information and dimensional data.

Catalog Number BH Series

**Catalog Code Description:
 Block Series**



- NOTES:**
1. The #4 connector must be used with either the 7/16 - 14 or the 3/8" - 16 stud.
 2. The only compatible connector for the 7/16" - 14 stud is #4.
 3. Always check applicable end use standards for required spacing between blocks, fuses or other hardware.
 4. For applications above 700v, consult appropriate electrical standard for proper creepage distances, clearance distances and insulator voltage withstand ratings.