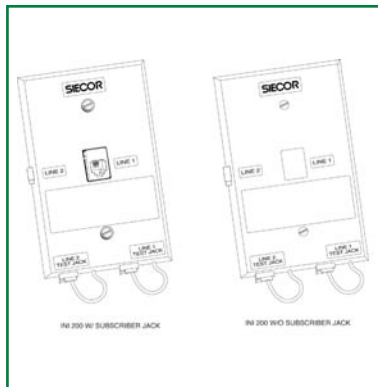


Indoor and Outdoor NIDs



INI 200 series of multifunction NIDs combines a subscriber bridge, built-in test jack, subscriber jack and Telco electronics compartment in one compact unit.

Specifications

| | |
|------------------------|---|
| Dimensions (H x W x D) | 15.2 x 9.5 x 2.18 cm (6.0 x 3.75 x 0.86 in) |
| Weight | 0.12 kg (0.26 lb) |

Shipping Package Specifications

| | |
|------------------------|---|
| Dimensions (H x W x D) | 20.32 x 25.48 x 40.64 cm (8.0 x 10.0 x 16.0 in) |
| Shipping Weight | 11.82 kg (26 lb) |
| Quantity | 100 units per case |

Ordering Information

INI 20 -
 1 2 3 4

1 Select number of lines.

- 1 = One line
- 2 = Two lines

2 Select subscriber jack options.

- 0 = Not equipped
- 1 = Equipped (equal to number of lines)

3 Select electronics option.

- A = Not equipped
- B = Type 3 termination unit (half-ringer)

4 Select unit/customer-specific option.

- 0 = Standard unit (beige)
- 1 = Standard unit (white)

Accessories

| Part Number | Description |
|-------------|---|
| 60-200-10 | Kit, line 2, bridge, test jack, subscriber jack, with half-ringer (beige) |
| 60-262-10 | Kit, line 2, bridge, test jack, subscriber jack, with half-ringer (white) |
| 60-228-11 | Kit, line 2, bridge and test jack (beige) |
| 60-231-11 | Kit, line 2, bridge and test jack (white) |
| 60-200-12 | Kit, line 1, subscriber jack (beige) |
| 60-207-11 | Kit, line 1, subscriber jack (white) |
| 60-232-11 | Kit, line 2, subscriber jack (white) |
| 60-229-11 | Kit, line 2, subscriber jack (beige) |

Corning Cable Systems LLC

| Item No. | EMBARQ Item No. | Mfg. Part No. | Description |
|------------|-----------------|---------------|--|
| 5138310166 | 513831 | INI-201-OBO | NID Indoor 2 Line with Type 3 Termination Unit (Half Ringer) |



Indoor and Outdoor NIDs



CAC 7600 Network Interface Device

Network Interface Device (NID) - Outdoor

Network interface device, series 7600, accommodates one to six lines. It allows for quick upgrades with add-a-line kits and is compatible with a wide variety of station protectors and electronics. It is molded of flame-retardant and impact-resistant engineering-grade thermoplastic.

Specifications

| | |
|-------------------------------|--|
| Dimensions (H x W x D) | 10.2 in x 8.5 in x 0.3 in (25.9 cm x 21.6 cm 7.6 cm) |
| Weight | 1.7 lb (0.77 kg) |

Ordering Information

CAC 76--

1 Select telco security/customer-specific option.

- 0 = Standard hex screw telco override
- 1 = KS telco override

2 Select RJ-11 and plug.

- 0 = Industry standard
- S = Sealed

3 Select station protector.

- N = SPD 356-XV; TandAction™ Hybrid, 3-Element, 356 Studded¹
- Z = SPD 356-XY; TandAction Hybrid, 3-Element, 356 Studded¹
- BC = SPD 127-XV-S; TandAction Hybrid, 3-Element, 125 Sealed IDC²
- BF = SPD 126-HV-S; TandAction Hybrid, 2-Element, 125 Studded
- BG = SPD 127-KU-S; 3-Element Gas Tube, no backup air gap, 125 Sealed IDC⁴
- BH = SPD 356-KY-S; 3-Element Gas Tube, no backup air gap, 356 Studded

Note: All factory-installed protectors include the 350 protector adapter.

¹RUS PE-80 accepted

²Telcordia compliant GR-974-CORE and TR-NWT-000975, TR-NWT-001195

³Bell Canada compliant PRD 960001

⁴Telcordia compliant GR-1361-CORE and TR-NWT-000975, TR-NWT-001195

4 Select number of lines.

- 1 = One lines
- 2 = Two lines
- 3 = Three lines
- 4 = Four lines
- 5 = Five lines
- 6 = Six lines

5 Select electronics.

- A = Not equipped
- B = Type 3B termination unit (half-ringer)

6 Select individual line security option.

- 1 = Not equipped
- 3 = Individual locking doors with telco override

Accessories

| Part Number | Description |
|-------------|--|
| 60-248-10 | Kit, add-a-line, standard upgrade (2 conductor) |
| 60-001-38 | Kit, add-a-line with SPD 356-XY |
| 60-001-40 | Kit, add-a-line with SPD 356-KY-S |
| 60-201-11 | Kit, ground wire for 350-type protector |
| 60-061-10 | Kit, 350 adapter (mounts 1 or 2 protectors) |
| 60-000-04 | Kit, 350 adapter with C ground wire |
| 60-252-10 | Kit, individual locking door |
| 60-056-10 | Kit, entry grommet |
| 60-203-10 | Kit, straight ground wire for 125-type protector |



Indoor and Outdoor NIDs

Network Interface Device (NID) - Outdoor (continued)

Network interface device, series 7600, accommodates one to six lines, allows for quick upgrades with add-a-line kits, and is compatible with a wide variety of station protectors and electronics. It is molded of flame-retardant and impact-resistant engineering-grade thermoplastic.

Corning Cable Systems LLC

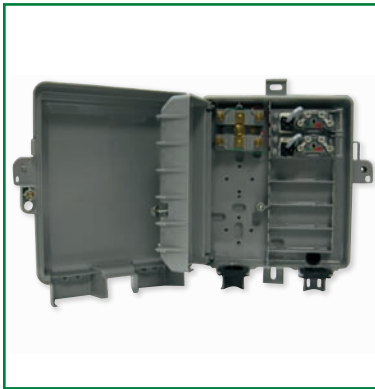
| Item No. | Mfg. Part No. | Description |
|------------|---------------|---|
| 0000060759 | CAC 7600-Z1A1 | NID 6-Line Capacity with 1 SPD 356-XY Protector |
| 0000048876 | CAC 7600-Z2A1 | NID 6-Line Capacity with 2 SPD 356-XY Protector |
| 0000029949 | CAC 7600-Z2A3 | NID 6-Line Capacity with 2 SPD 356-XY |
| 0000090118 | CAC 7600-Z3A1 | NID 6-Line Capacity with 3 SPD 356-XY Protector |
| 0000080381 | CAC-7600-Z3A3 | NID 6-Line Capacity with 3 SPD 356-XY Protector |
| 0000088026 | CAC 760S-N1A1 | NID 6-Line Capacity with 1 SPD 356-XY Sealed |
| 5340090166 | CAC 760S-Z1A3 | NID 6-Line Capacity with 1 SPD 356-XY Sealed |
| 0000078780 | CAC 760S-Z6A1 | NID 6-Line Capacity with 6/SPD 356-XY Sealed |

Network Interface Device (NID) - Outdoor

Network interface device, MLP series has 12-lines with 12 SPD 356-XY TandAction™ hybrid station protectors.

Corning Cable Systems LLC

| Item No. | EMBARQ Item No. | Mfg. Part No. | Description |
|------------|-----------------|-----------------|-----------------------------------|
| 7741190166 | 774119 | MLP 1200 Z12-A1 | NID 12-Line Sealed Jack/12-356-XY |



MLP 262S Series Network Interface Device

Network Interface Device (NID) - Outdoor

This network interface device accommodates one to six lines.

- Loaded top down
- Sealed RJ-11 plug

Corning Cable Systems LLC

| Item No. | EMBARQ Item No. | Mfg. Part No. | Description |
|------------|-----------------|----------------|--|
| 7742010166 | 774201 | MLP 262S-Z3A10 | NID 6-Line Capacity Sealed Jack with 3-356-XY. Loaded Top Down. |
| 7742020166 | 774202 | MLP 262S-Z6A30 | NID 6-Line Capacity Sealed Jack with 6-356-XY. Loaded Top Down |
| 5177000166 | 517700 | MLP262S-Z1A10 | NID 6-Line Capacity Sealed Jack with 1 356-XY. Loaded Top Down |
| 5307480166 | 530748 | MLP262S-Z2A10 | NID 6-Line Capacity Sealed Jack with 2-356-XY. Loaded Top Down. |
| 5307490166 | 530749 | 60-000-46 | Add a Line Kit with 356-XY + Gel Jack for MLP262S and CAC7600 Series |

Indoor and Outdoor NIDs



NI-2006 Series Network Interface Device

Network Interface Device (NID) - Outdoor

Corning's network interface device, series NI-2006, houses from one to six patented Protected Terminating Device (PTD® modules) in one weather-resistant enclosure for both indoor and outdoor applications. The PTD module combines telco termination, protection, line test electronics, and RJ-11 test jack into one compact, easily replaceable unit.

- UL-listed

Dimensions and Shipping Weight

| | |
|------------------------|--|
| Dimensions (H x W x D) | 7.80 in x 7.06 in x 2.82 in (19.8 cm x 17.9 cm x 7.2 cm) |
| Unit Weight | 2.3 lb (1.04 kg) |

Ordering Information

NI - 2006 -
1 2 3 4 5

1 Select number of PTD® modules.

- 0 = Not equipped (must follow with UUU for next three options)
- 1 = One
- 2 = Two
- 3 = Three
- 4 = Four
- 5 = Five
- 6 = Six

3 Select PTD module electronics.

- U = Not equipped (or use when number of PTD modules is 0)
- L = C-901 termination unit (half-ringer)
- S = SID (subscriber isolation device)

2 Select PTD module station protection.

- U = Not equipped (use when number of PTD modules is 0)
- 1 = Solid-state, 270-400 volts, three-chip, balanced
- 3 = TandAction™
- M = No protection, no "lock-out"

4 Select PTD module bridge/customer-specific options.

- U = Use when number of PTD modules is 0
- 1 = T-131 terminal strip (stainless steel screws)

5 Select telco security/customer-specific option.

- 1 = Standard 3/8-inch hex screw
- 2 = Pin and hex
- (A-Z, 2-9) = Customer specific

¹Note: "Lock-out" prevents PTD installation in standard Corning Cable Systems Network Interface Device (NID).

Corning Cable Systems LLC

| Item No. | Mfg. Part No. | Description |
|------------|---------------|---|
| 5199260166 | NI-2006-0UUU1 | NID Not Equipped |
| 7743280166 | NI-2006-11U11 | NID 6-Line Capacity with 1 Solid State PTD |
| 0000005130 | NI-2006-13L11 | NID 6-Line Capacity with 1 TandAction PTD Protector Half Ringer |
| 0000005896 | NI-2006-13U11 | NID 6-Line Capacity with 1 TandAction PTD Protector |
| 0000006318 | NI-2006-21L11 | NID 6-Line Capacity with 2 Solid State PTD Modules Half-Ringer |
| 0000058693 | NI-2006-21U11 | NID 6-Line with 2 Solid State PTD Modules |
| 0141640000 | NI-2006-23U11 | NID 6-Line Capacity with 2 TandAction PTD Protector |
| 0000012421 | NI-2006-63U11 | NID 6-Line with 6 TandAction PTD Protector |



Indoor and Outdoor NIDs



NI-2012 Series Network Interface Device

Network Interface Device (NID) - Outdoor

Network interface device, series NI-2012, can be ordered with six PTD modules, reserving space to add an additional six modules, or fully loaded with all 12 modules. It is completely modular.

Ordering Information

NI - 2012 - - 2
1 2 3 4 5

1 Select number of PTD® modules.

06 = Six
 12 = Twelve

4 Select PTD module premises bridge/customer-specific option.

1 = T-131 terminal strip (stainless steel screws)

2 Select PTD module station protection.

1 = Solid-state, 270-400 V, three-chip, balanced
 3 = TandAction™ Hybrid

5 Standard vs. customer-specific product designation.

S = Standard product
All other digits denote various customer-specific options.

3 Determine PTD module electronics.

U = Not equipped (or use when number of PTD modules is 0)
 L = C-901 termination unit (half-ringer)

Related Products with PTD Modules

| Part Number | Description |
|-------------|--|
| NI-2003 | 1- to 3-line Network Interface Device with PTD Modules (plastic enclosure) |
| NI-2006 | 1- to 6-line Network Interface Device with PTD Modules (plastic enclosure) |
| NI-2025 | 25-line Network Interface Device with PTD Modules (metal enclosure) |
| NI-2050 | 50-line Network Interface Device with PTD Modules (metal enclosure) |
| NI-2100 | 100-line Network Interface Device with PTD Modules (metal enclosure) |
| NI-2200 | 200-line Network Interface Device with PTD Modules (metal enclosure) |

Corning Cable Systems LLC

| Item No. | Mfg. Part No. | Description |
|------------|------------------|---|
| 0141650000 | NI-2012-00-UUU2S | NID 12-Pair Not Equipped |
| 0000058341 | NI-2012-06-1U12S | NID 12-Pair with 6 Solid State Modules |
| 0000073760 | NI-2012-06-3L12S | NID 12-Pair with 6 PTD TandAction Hybrid Station Protector Modules. Half-Ringer |
| 0000073720 | NI-2012-06-3U12S | NID 12-Pair with 6 PTD TandAction Hybrid Station Protector Modules |
| 0000005561 | NI-2012-12-1U12S | NID 12-Pair with 12 Solid State Protector Modules |
| 0000007186 | NI-2012-12-3U12S | NID 12-Pair with 12 PTD TandAction Hybrid Station Protector Modules |



Indoor and Outdoor NIDs



NID 25-Line and 50-Line with PTD Modules

Network Interface Device (NID) - Outdoor

The Corning 25-line and 50-line network interface devices, series 2025 and 2050, come with a metal enclosure. The PTD® module provides overvoltage protection in one compact, modular unit, combining line protection, line test electronics, environmentally sealed insulation displacement telco terminations, subscriber bridge and an RJ-22 test jack.

Specifications

| Unit | Dimensions (H x W x D) in (cm) | Weight lb (kg) |
|---------|--|----------------|
| NI-2025 | 18.625 x 12.50 x 3.94 (47.3 x 31.8 x 10.0) | 15.1 (6.8) |
| NI-2050 | 33.91 x 15.78 x 4.88 (86.1 x 40.0 x 12.4) | 29.7 (13.5) |
| NI-2100 | 33.91 x 27.91 x 4.88 (86.1 x 70.9 x 12.4) | 52.6 (23.8) |
| NI-2200 | 62.40 x 27.91 x 4.88 (158.5 x 70.9 x 12.4) | 99.2 (45) |

Standard Package

| | |
|----------|--------|
| Quantity | 1 each |
|----------|--------|

Ordering Information

NI-2 - -

1
2
3
4
5
6
7

1 Select type of enclosure.

025 = 25-pair 100 = 100-pair
 050 = 50-pair 200 = 200-pair

5 Select PTD Module premises

bridge/customer-specific option.

U= Use when number of PTD Modules is 0
 1 = T-131 terminal strip (stainless steel screws)

2 Select number of PTD® Modules.

0 = Not equipped with PTD Modules or modular panel (empty enclosure only; must follow with UUU-U for next four options)
 A = One 25-pair (for 25-pair enclosures)
 1 = One 50-pair (for 50-, 100- and 200-pair enclosures)
 2 = Two 50-pair (for 100- and 200-pair enclosures)
 3 = Three 50-pair (for 200-pair enclosures)
 4 = Four 50-pair (for 200-pair enclosures)

6 Select preconnectorized option.

U= Use when number of PTD Modules is 0
 A = 3M 4005 DPM/FR (dry)
 B = AT&T 710SC1 (filled)
 C = AT&T 710BC1 (filled)

3 Select PTD Module station protection.

U= Use when number of PTD Modules is 0
 1 = Solid-state, 270-400 V, three-chip, balanced
 3 = TandAction™ Hybrid Station Protector

7 Telco security.

2 = Pin and hex (KS screw)

4 Determine PTD Module electronics.

U= Not equipped (or use when number of PTD Modules is 0)
 L = C-901 termination unit (half-ringer)



Indoor and Outdoor NIDs

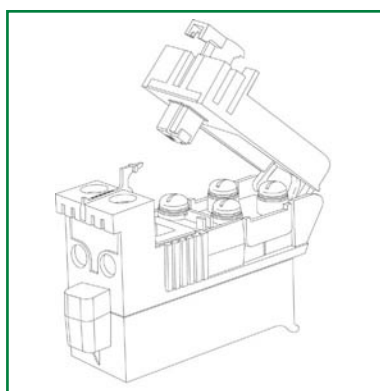
Network Interface Device (NID) - Outdoor (continued)

The Corning 25-line and 50-line network interface devices, series 2025 and 2050, come with a metal enclosure. The PTD® module provides overvoltage protection in one compact, modular unit, combining line protection, line test electronics, environmentally sealed insulation displacement telco terminations, subscriber bridge and an RJ-22 test jack.

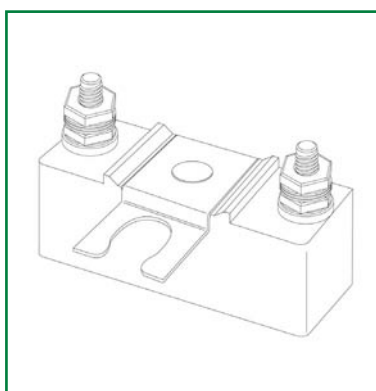
Corning Cable Systems LLC

| Item No. | Mfg. Part No. | Description |
|------------|-----------------|---------------------------------|
| 0000062967 | NI-2025-A1L1-A2 | NID 25-Line with PTD Modules |
| 0000080026 | NI-2025-A1U1-A2 | NID 25-Line with PTD Modules |
| 0000051651 | NI-2025-OUUU-U2 | NID 25-Line without PTD Modules |
| 0000100859 | NI-2050-13L1-A2 | NID 50-Line with PTD Modules |

NID Accessories



TandAction Hybrid PTD Module



SPD 356-XY

- PTD-3L1H, PTD-3L1H-PSSR1 and PTD-3U1H used with NI-2006, 2012, 2025, 2050, 2100, 2200
- Heavy duty 3-element gas tube
- Compatible with high speed data service

Corning Cable Systems LLC

| Item No. | EMBARQ Item No. | Mfg. Part No. | Description |
|------------|-----------------|----------------|---|
| 0000099992 | | PTD-3L1H | TandAction Hybrid PTD Module With Half-Ringer |
| 0155150000 | | PTD-3L1H-PSSR1 | TandAction Hybrid PTD Splitter Module |
| 0000007187 | | PTD-3U1H | TandAction Hybrid PTD Module |
| 5177160166 | 517716 | SPD 356-XY | SPD-356-XY Hybrid Station Protector |
| 0249580166 | 024958 | SPS-DL1-SR1 | Dual Line Module with ADSL (Sealed Test Jack) Splitter. Works with CAC 7600 and CAC 7700 Series NIDs. |
| 0249620166 | 024962 | SPS-H70-SR1 | ADSL POTS Splitter Outdoor Device. Attached to the Point of Demarcation at the Customer Premise. |
| 5307490166 | 530749 | 60-000-46 | Add A Line Kit with 356-XY + Gel Jack for CAC 7600 Series |

Indoor and Outdoor NIDs



7005 Series Network Interface Device

Network Interface Device (NID) - Outdoor

Network interface device, series 7005, meets the needs of one or two subscriber lines or one DSL/POTS line.

- All weather enclosure
- Subscriber lockable with Telco override and subscriber friendly termination posts

How To Order

7005 - XX - X X X - X1

Model Number Designator _____

Number of Twisted Pair Lines _____

- 01 = One Line (only option with DSL)
- 02 = Two Lines

Station Protector Options _____

- D¹ = 455HS-MSP (2377-45-HS) Broadband Voice/Data Services
- Z¹ = 455HS-BC (2377-45-BC) Balance-Sensitive DSL Systems
- E = 155HS-MSP (2378-35-HS) Broadband Voice/Data Services
- Y = 155HS-BC (2378-35-BC) Balance-Sensitive DSL Systems

- B = 125EW (2374-01) Sealed Gas Tube (UL, Bellcore)
- C = 125EW-R (2375-01) Sealed Gas Tube (REA, UL, CSA)
- L = 356M (2377-01) Sealed 3-Pole Gas Tube (REA, UL, CSA)
- M = J130S (2380-27-01) Solid State (UL)
- T = Tii355M
- O = No Station Protectors

Special Options _____

- G = Security Screw in Telco Cover
- H = Security Screw in Padlock Brace
- I = IDC Type Expansion Bridge - 4 Jacks (85122-IDC)
- T = Sealed Switching Jack 2 - post (85122-T)
- F* = Sealed Switching Jack 4 - post (85122-T4)
- O = No Options (ships w/standard 85122 Switch Jack)
- P = **Without Terminal Block**
(Leave Blank if terminal block is required)

DSL Options* _____

- A = ADSL PSA-1A POTS Splitter 3610A (UL Listed)
- V = VDSL PSV-1A POTS Splitter 3630A (UL Listed)

To add lines, use upgrade kits:

- 85122 Standard Jack (not valid with DSL Configurations)
- 85002 (for units built prior to April, 1995 - not valid with DSL Configurations)
- 85122-RET-1 Sealed RJ11 - 1 Line
- 85122-RET-2 Sealed RJ11 - 2 Lines

Note 1 = Digi. Guard

***DSL Configuration Note:**

The 3610A or 3630A can **only** be ordered in **one** line configurations and must be ordered with option **D, Z, E or Y** Station Protectors. 7005 NIDs ordered with a 3610A or 3630A will include **Special Option F** (4-post sealed switching jack)

Recommended ADSL Package = 7005-01-EFP-A1

Recommended VDSL Package = 7005-01-YFP-A1 (Next Level compliant)

Product Dimensions

| High | Deep | Wide |
|----------------|----------------|---------------|
| 190.5 (7.5) | 167.6 (6.6) | 73.7 (2.9) |

DIMENSIONS: $\frac{\text{MM}}{\text{(INCHES)}}$

Bourns Communication

| Item No. | Mfg. Part No. | Description |
|------------|---------------|--|
| 0000080218 | 7005-01-TO | NID 1 Line with 1 TII 355M Station Protector |
| 0000088778 | 7005-02-CO | NID 2 Line with 2 125EW-R Sealed Protector |
| 0000011336 | 7005-02-TO | NID 2 Line with 2 TII 355M Station Protector |



Indoor and Outdoor NIDs



7032 Series Network Interface Device

Network Interface Device (NID) - Outdoor

Network interface device, series 7032, is available in pair counts of 1 through 100.

- Accepts all manufacturers' protection of similar design
- Allows service providers the capacity to terminate and add protected service pairs as needed
- Subscriber lockable with Telco override and subscriber friendly termination posts for safe and secure operation

Enclosures are manufactured of high-impact resistant, ultraviolet-desensitized, flame retardant UL listed plastic (50 and 100 pair models are 18 gauge rust resistant zinc-coated steel, with 25 pair available in both plastic and steel).

DIMENSIONS: $\frac{\text{MM}}{\text{(INCHES)}}$

Product Dimensions

| Enclosure Size | Pair (Max.) | DSL (Max.) | Dimensions | | |
|----------------|-------------|------------|------------------------|------------------------|-----------------------|
| | | | High | Wide | Deep |
| A | 06 | 03 | $\frac{279.4}{(11.0)}$ | $\frac{279.4}{(11.0)}$ | $\frac{101.6}{(4.0)}$ |
| B | 12 | 06 | $\frac{444.5}{(17.5)}$ | $\frac{279.4}{(11.0)}$ | $\frac{127}{(5.0)}$ |
| C | 25 | 12 | $\frac{431.8}{(17.0)}$ | $\frac{406.4}{(16.0)}$ | $\frac{76.2}{(3.0)}$ |
| D | 50 | 25 | $\frac{914.4}{(36.0)}$ | $\frac{482.6}{(19.0)}$ | $\frac{114.3}{(4.5)}$ |
| E | 100 | 50 | $\frac{914.4}{(36.0)}$ | $\frac{508}{(20.0)}$ | $\frac{177.8}{(7.0)}$ |
| V | 25 | 12 | $\frac{469.9}{(18.5)}$ | $\frac{444.5}{(17.5)}$ | $\frac{139.7}{(5.5)}$ |

How To Order

7032 - XX - X X X - X XX

Model Number Designator _____

Number of Lines _____
06, 12, 25, 50, 100

Station Protector Options _____

D' = 455HS-MSP (2377-45-HS) Broadband Voice/Data Services
 Z' = 455HS-BC (2377-45-BC) Balance-Sensitive DSL Systems
 E = 155HS-MSP (2378-35-HS) Broadband Voice/Data Services
 Y = 155HS-BC (2378-35-BC) Balance-Sensitive DSL Systems
 B = 125EW (2374-01) Sealed Gas Tube (UL, Bellcore)
 C = 125EW-R (2375-01) Sealed Gas Tube (REA, UL, CSA)
 L = 356M (2377-01) Sealed 3-Pole Gas Tube (REA, UL, CSA)
 M = J130S (2380-27-01) Solid State (UL)
 T = Tii355M
 O = No Station Protectors

Enclosure Size and Construction (see above table for dimensions) _____

A = 6 Pair Capacity (Plastic) E = 100 Pair Capacity (Steel)
 B = 12 Pair Capacity (Plastic) P = 1/2 inch Plywood-no enclosure
 C = 25 Pair Capacity (Steel) V = 25 Pair Capacity (Plastic)
 D = 50 Pair Capacity (Steel)

Special Options _____

O = No Options X = Brass Bus Bar (Bus Bar is standard on 50 and 100 Pair units. Security screws available.)

DSL Options _____

A* = ADSL POTS Splitter 3610A (UL Listed) V* = VDSL POTS Splitter 3630A (UL Listed)

Number of DSL Lines _____

Note 1 = Digi. Guard To add lines, use upgrade kit: • 85003 Standard Jack

*DSL Configuration Note: 3610A or 3630A must be ordered with option D, Z, E or Y Station Protectors.

Bourns Communication

| Item No. | Mfg. Part No. | Description |
|------------|---------------|---|
| 0000024034 | 7032-12-CB0 | NID 12-Pair with 12 125 EW-R Sealed Gas Tube Station Protector |
| 0000003527 | 7032-12-LB0 | NID 12-Pair with 12 356M Sealed 3-Pole Gas Tube Station Protector |



Indoor and Outdoor NIDs



7090 Series Network Interface Device

Network Interface Device (NID) - Outdoor

Bourn's network interface device, series 7090, provides for termination and station protection of up to 6 twisted pair or up to 3 DSL POTS splitters or combinations of both.

- Weather resistant enclosure
- Sealed switching subscriber jacks to simplify the test point are available in two and four lug versions.

How To Order

7090 - XX - X X - XX

Model Number Designator

Number of Twisted Pair Lines

- 01 = One 03 = Three 05 = Five
- 02 = Two 04 = Four 06 = Six

Station Protector Options

- D' = 455HS-MSP (2377-45-HS) Broadband Voice/Data Services
- Z' = 455HS-BC* (2377-45-BC) Balance-Sensitive DSL Systems
- E = 155HS-MSP (2378-35-HS) Broadband Voice/Data
- Y = 155HS-BC* (2378-35-BC) Balance-Sensitive DSL Systems

- B = 125EW (2374-01) Sealed Gas Tube (UL, Bellcore)
- C = 125EW-R (2375-01) Sealed Gas Tube (REA, UL, CSA)
- L = 356M (2377-01) Sealed 3-Electrode Gas Tube (REA, UL, CSA)
- M = J130S (2380-27-01) Solid State (UL)
- T = Tii355M
- O = No Station Protectors

*For DSL systems requiring capacitive balance \leq 1pF

Special Options

- B = Binding screws for Station Electronics
- G = Security Screw in Telco Cover
- H = Security Screw in Security Plate
- I = IDC Type Expansion Bridge - 4 Jacks (85122-IDC)
- T = Sealed Switching Jack 2-post (85122-T)
- F = Sealed Switching Jack 4-post (85122-T4) Supplied with DSL**
- O = No Options (ships w/standard 85122 Switch Jack)

DSL Options* (3 DSL Lines Maximum)

- A1 = (1) ADSL POTS Splitter (3610A)
- A2 = (2) ADSL POTS Splitter (3610A)
- A3 = (3) ADSL POTS Splitter (3610A)
- V1 = (1) VDSL POTS Splitter (3630A)
- V2 = (2) VDSL POTS Splitter (3630A)
- V3 = (3) VDSL POTS Splitter (3630A)

† UL Listed

To add lines, use upgrade kits:

- 85122 Standard Jack (Not available with DSL Configurations)
- 85122-RET-1 Sealed RJ11 - 1 Line
- 85122-RET-2 Sealed RJ11 - 2 Lines

Note 1 = Digi.Guard

*DSL Configuration Note:

The 3610A or 3630A can **only** be ordered in 1, 2 or 3 line configurations and must be ordered with option **D, Z, E or Y** Station Protectors. 7090 NIDs ordered with a DSL units will include **Special Option F** (sealed 4-post switching jacks)

Product Dimensions

| High | Wide | Deep |
|----------------|----------------|---------------|
| 228.6 (9.0) | 215.9 (8.5) | 63.5 (2.5) |

DIMENSIONS: $\frac{\text{MM}}{\text{(INCHES)}}$

Indoor and Outdoor NIDs

Network Interface Device (NID) - Outdoor (continued)

Bourn's network interface device, series 7090, provides for termination and station protection of up to 6 twisted pair or up to 3 DSL POTS splitters or combinations of both.

- Weather resistant enclosure
- Sealed switching subscriber jacks to simplify the test point are available in two and four lug versions.

Bourns Communication

| Item No. | Mfg. Part No. | Description |
|------------|---------------|---|
| 0000032942 | 7090-01-CO | NID 6-Line Capacity with 1 125EW-R Sealed Gas Tube Protector |
| 0000026345 | 7090-01-DF-A1 | NID 6-Line Capacity with 1 455HS-MSP Broadband Voice/Data Station Protector |
| 0000098375 | 7090-02-DF-A1 | NID 6-Line Capacity with 2 455HS-MSP Broadband Voice/Data Station Protector |
| 0000007157 | 7090-03-CO | NID 6-Line Capacity with 3 125EW-R Sealed Gas Tube Protector |
| 0000060090 | 7090-03-LO | NID 6-Line Capacity with 3 356M Sealed Gas Tube Protector |

NID Accessories



3611 POTS Splitter



3610 POTS Splitter

Bourns Communication

| Item No. | Mfg. Part No. | Description |
|------------|---------------|---|
| 0000018569 | 3611 | ADSL and VDSL POTS Splitter with Screw Terminal - Subscriber Side |
| 0000088165 | 3610PLUS | POTS Splitter for ADSL. Binding Post Mounting Style |

Indoor and Outdoor NIDs



SNI-4600 Series Network Interface Device

Network Interface Device (NID) - Outdoor

SNI-4600® is designed to meet requirements for one to six line outdoor residential NIDS. It can be equipped with six Keptel line modules and six solid state or gas tube protectors. A single or dual coax line can be installed with up to five voice line modules, both of which have common ground connection capability. The coax modules allows handoff to the subscriber coax termination using standard "F" connectors.

standard configurations

| MODEL # | PART # |
|-----------------------------------|--------------|
| SNI-4600 - 1 - B - 1 - 1 - 21 - H | 911306-00-00 |
| SNI-4600 - 1 - B - 1 - 2 - 21 - H | 911647-00-00 |
| SNI-4600 - 1 - B - 1 - 6 - 21 - H | 91627-00 |
| SNI-4600 - 1 - B - 1 - 1 - 37 - H | DM000002 |
| SNI-4600 - 1 - B - 1 - 2 - 37 - H | 911226-00-00 |
| SNI-4600 - 1 - B - 1 - 6 - 37 - H | 911142-00 |

custom order matrix (consult customer service for availability)

| Basic unit | Line Module Security | Subscriber Termination | Type of Electronics | Number of Lines Equipped | Lightning Protection | Telco Cover Fastener | Optional Features |
|------------|---|---|---|--------------------------|--|---|--|
| SNI-4600 | 1 = Without individual subscriber security covers 2 = With individual subscriber security covers | A = 2 Screw, 2 Wire, RJ-11 interface B = 4 Screw, 2 Wire, RJ-11 Interface (Green and Red electrically active) C = 6 screw, 2 wire, Bridging Module D = 4 screw, 4 wire, RJ-14 Interface (Green, Yellow, Red and Black are electrically active) F = 2 screw, 8 position, 2 Wire Interface (Special Services) T = Sealed RJ-11 ETO "Jumping Jack" (n/a with C, D or F termination above) | 1 = Interface Module only 2 = Half Ringer Equivalence 4 = RFI Filter (Radio Frequency Interference) | 1 = 1 (Up to 6) | 11 = Tii 355L 12 = Tii 356L 21 = Tii 355M 22 = Tii 356M1 37 = Joslyn 125EW 43 = Tii 126L1 65 = Lucent 25 68 = Tii MSP-350L 70 = Amp Quietfront I 71 = Amp Quietfront II | H = 3/8" Hex Head Screw S = Pin-In-Hex Security Screw (for use with KS-19192 tool) | CLM-5-1 = Single Line Coax Demarcation Module CLM-5-2 = Dual Line Coax Demarcation Module |

EXAMPLE: SNI-4600 - 1 - BT - 2 - 3 - 43 - H - CLM-5-1
 This model number indicates that the following has been ordered:
 SNI-4600 housing, supplied without individual subscriber security covers, line module includes; 4 screws, 2 wire RJ-11 interface and a sealed RJ-11 ETO "Jumping Jack", Half Ringer equivalence, three line capacity, Tii 126L1 lightning protection, 3/8" Hex Head screw for telco cover fastener, optional single line coax demarcation module.

AFL Telecommunications

| Item No. | Mfg. Part No. | Description |
|------------|---------------------------------|---|
| 0000035676 | 911647-00-00/SNI4600-1B-1-2-21H | NID 6-Line Capacity with 2 TII 355M Station Protectors. |
| 0000045284 | 91749-00/ SNI4600-2A-1X-H | NID 6-Line Capacity Not Equipped |



Indoor and Outdoor NIDs



3600 Series Network Interface Device

Network Interface Device (NID) - Outdoor

The series 3600 broadband outdoor NID has a versatile heavy-duty six-pair housing and accommodates a variety of coaxial and twisted pair drop combinations.

MODEL NUMBER MATRIX

| 361XX | | XX | | XXXX | | | X |
|------------------------------|--|-----------------------------|--|--|--|--|--|
| Rear Entry | No. of Station Protectors | Security Screw | Station Protector | Customer Bridge Module | | | Coax Service Module Type |
| | | | | No. of CBMs | Wiring Type | Electronics | |
| 1=w/Rear Wire Entry Grommets | 0=None 1=One 2=Two 3=Three 4=Four 5=Five 6=Six | H=Hex Head P=Pin-In-Head | 01=356L 03=356M1 05=355L 07=355M 15=126M 17=126L1 19=126S02 31=385 49=126L3 50=355MT 51=127M 52=372-S 53=356M2 54=356M3 70=AD-01W 71=AD-01W-FS 72=AD-02W-FS 73=AD-M2-W-FS 76=AD-03W-FS | 0=None 1=One 2=Two 3=Three 4=Four 5=Five 6=Six | 0=None S=Insulated Screws I=IDC Terminations | 00=None 01=1/2 Ringer 08=RFI Filter 01/08=Combination 1/2 Ringer & RFI Filter | 0=None 1=Straight Thru 2=Protected |

Refer to the respective data sheets for descriptions and specifications of the TII TFS® Total Failsafe® Protector modules.

NOTE: The TII 3600 BNID has been designed to accommodate a maximum combined quantity of six Customer Bridge and Coax Service Modules using RG-6 cable.

TII Network Technologies

| Item No. | Mfg. Part No. | Description |
|------------|---------------|--|
| 0000092010 | 3611H-07-1S00 | NID 6-Line Capacity with 1 355M Station Protector |
| 0000094977 | 3611H-07-1S01 | NID 6-Line with 1 355M Station Protector with 1/2 Ringer |



Indoor and Outdoor NIDs



Series 3700 Network Interface Device

Network Interface Device (NID) - Outdoor

Series 3700 three-line broadband outdoor NID accommodates a variety of coaxial and twisted pair drop combinations.

MODEL NUMBER MATRIX

| 371XX | | XX | | XXXX | | | X |
|------------------------------|-------------------------------------|-----------------------------|--|-------------------------------------|--|---|--|
| Rear Entry | No. of Station Protectors | Security Screw | Station Protector | Customer Bridge Module | | | Coax Service Module Type |
| | | | | No. of CBMs | Wiring Type | Electronics | |
| 1=w/Rear Wire Entry Grommets | 0=None 1=One 2=Two 3=Three | H=Hex Head P=Pin-In-Head | 01=356L 03=356M1 05=355L 07=355M 15=126M 17=126L1 19=126S02 31=385 49=126L3 50=355MT 51=127M 52=372-S 53=356M2 54=356M3 70=AD-01W 71=AD-01W-FS 72=AD-02W-FS 73=AD-M2-W-FS 76=AD-03W-FS | 0=None 1=One 2=Two 3=Three | 0=None S=Insulated Screws I=IDC Terminations | 00=None 01=1/2 Ringer 08=RFI Filter 01/08=Combination 1/2 Ringer & RFI Filter | 0=None 1=Straight Thru 2=Protected |

NOTE: The TII 3700 BNID has been designed to accommodate a maximum combined quantity of three Customer Bridge and Coax Service Modules using RG-6 cable.

Refer to the respective data sheets for descriptions and specifications of the TII TFS® Total Failsafe® Protector modules.

TII Network Technologies

| Item No. | Mfg. Part No. | Description |
|------------|---------------|--|
| 0000112608 | 3713H-07-3S01 | NID 3-Line with 3 TII 355M Station Protector with 1/2 Ringer |

Indoor and Outdoor NIDs



BEN Network Interface Device

Network Interface Device (NID) - Indoor

Network interface devices, 25, 50 and 100 pair are fully loaded with solid state protection.

Emerson Network Power

| Item No. | EMBARQ Item No. | Mfg. Part No. | Description |
|------------|-----------------|---------------|--|
| 0000059387 | 062557 | BEN25LMMSP | NID 25 Pair - Indoor. Input: 4005D. Output: Demarcation Binding Post. Fully Loaded with Solid State Protection. |
| 0000059388 | 062558 | BEN50LMMSP | NID 50 Pair - Indoor. Input: 4005D. Output: Demarcation Binding Post. Fully Loaded with Solid State Protection. |
| 0000059386 | 062559 | BEN100LMMSP | NID 100 Pair - Indoor. Input: 4005D. Output: Demarcation Binding Post. Fully Loaded with Solid State Protection. |

Network Interface Device (NID) - Outdoor

This network interface device offers 25 pair, 50 pair and 100 pair options.

Emerson Network Power

| Item No. | EMBARQ Item No. | Mfg. Part No. | Description |
|------------|-----------------|---------------|--|
| 0000059390 | 062569 | BENS25LMMSP | NID Outdoor 25-Pair Input: 4005D. Output: Demarcation Binding Post. Fully Loaded with Solid State Protection. |
| 0000059391 | 062570 | BENS50LMMSP | NID Outdoor 50-Pair Input: 4005D. Output: Demarcation Binding Post. Fully Loaded with Solid State Protection. |
| 0000059389 | 062571 | BENS100LMMSP | NID Outdoor 100-Pair Input: 4005D. Output: Demarcation Binding Post. Fully Loaded with Solid State Protection. |

Indoor and Outdoor NIDs



SlimLine NID

Network Interface Device (NID) - Outdoor

The SlimLine network interface device is a low profile NID providing a demarcation point between the telephone provider and the subscriber's telephone wires. It can house up to six CAMs (complete access modules). Pivot connector technology and gas tube protection which allows wire terminations of the residential drop wire without tools.

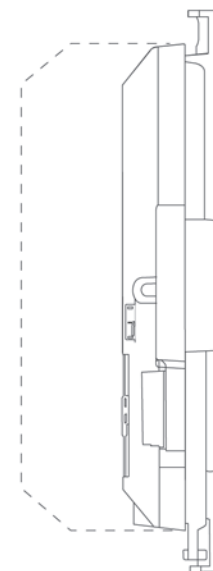
Applications:

- Demarcation Points
- Termination

Ordering Information:

| <i>SlimLine Descriptor</i> | <i>Part Number</i> |
|-----------------------------------|--------------------|
| NID, 1 CAM | 1116191-1 |
| NID, 2 CAMs | 1116191-2 |
| NID, 3 CAMs | 1116191-3 |
| NID, 4 CAMs | 1116191-4 |
| NID, 5 CAMs | 1116191-5 |
| NID, 6 CAMs | 1116191-6 |
| Individual CAM | 1116190-1 |
| Individual CAM with RJ-11T cover* | 1116190-2 |
| 1-Line Commoning Block | 1116338-1 |
| 2-Line Commoning Block | 1116339-1 |

*Note: Use the CAM with cover only if not being used in the SlimLine NID.



Low-profile design compared to typical NID profile.

Technical Documents

- SlimLine NID instruction sheet - 408-4472
- CAM instruction sheet - 408-4456
- CAM UL File Number - E150826

Tyco Electronics

| Item No. | Mfg. Part No. | Description |
|------------|---------------|--|
| 5198040303 | 1116191-1 | NID SlimLine with 1 Complete Access Module with Built-In Gas-Tube Protector |
| 5198050303 | 1116191-2 | NID SlimLine with 2 Complete Access Modules with Built-In Gas-Tube Protector |



Indoor and Outdoor NIDs



NID Accessory

The POTS splitter is designed for use in the SlimLine NID and offers ADSL service to the end subscriber. One path for the POTS signal and the other path for the data signal allows the entire bandwidth to pass. Each POTS splitter has four subscriber line pivot connector wire outlets. It allows for home run or star wiring and one pivot connector outlet for ADSL service.

Tyco Electronics

| Item No. | Mfg. Part No. | Description |
|------------|---------------|--|
| 0026580000 | 1389014-1 | Asymmetrical Digital Subscriber Line POTS Splitter |



NID Accessories

The module is entirely self contained and consists of a TII maximum duty three-electrode gas tube surge arrestor, a failshort mechanism, and a backup airgap.

TII Network Technologies

| Item No. | Mfg. Part No. | Description |
|------------|---------------|--|
| 5610350358 | 355M | 355M Station Protector 3-Element Gas Module 1-Pair REA |
| 5615060358 | 356M1 | 356M1 Protector Gas Module Heavy Duty 1-Pair REA |



PS-11 I2 ADSL2+ POTS Splitter

ADSL2+ Master POTS Splitter for Customer Premise (NID Mount)

The Wilcom PS-11 I2 ADSL2+ POTS Splitter is a passive low-pass filter designed to provide POTS service in concert with ADSL technology. The device blocks high frequency energy from interfering with POTS equipment. The PS-11 I2 employs a low-pass filter for standard voice-grade lines.

The PS-11 I2 Mounts inside the the Network Interface Device and is compatible with ADSL coding schemes. It also features full Bandwidth Allocation as compared to a micro-filter and is compatible with with all ADSL coding schemes.

Wilcom

| Item No. | Mfg. Part No. | Description |
|------------|---------------|---|
| 0000008790 | PS-11-I2 | ADSL2+ CPE POTS Splitter for NID Box Mounting |



Indoor and Outdoor NIDs



PS-32 VDSL2/ADSL2+ POTS Splitter

VDSL2+ Master POTS Splitter for Customer Premise (NID Mount)

The Wilcom PS-32 VDSL2/ADSL2+ POTS Splitter is compatible with all ADSL2+ and VDSL2 Coding schemes. It is fully compliant with the requirements of ANSI T1.413-1998 Annex E; ITU-T G.9921, G992.2 Annex E2 Type 2 (North America) G992.5 (ADSL2) & G993.2(VDSL).

The PS-32 DSL Master Splitter has convenient screw type terminals for flexible wiring schemes and mounts inside the Network Interface Device.

Wilcom

| Item No. | Mfg. Part No. | Description |
|------------|---------------|--|
| 0000185630 | PS-32 | POTS Splitter VDSL2 / ADSL2+ Master CPE POTS Splitter for NID Box Mounting |



PS-15 ADSL2+ Wall mount POTS Splitter

ADLS2+ Master POTS Splitter for Customer Premise (NID Mount)

The Wilcom PS-15 ADSL2+ Wall mount POTS Splitter is a passive lowpass filter designed to provide POTS service in concert with ADSL technology. The device blocks high frequency (20kHz-1MHz) energy from interfering with POTS equipment. It is compatible with ADSL coding schemes. It is fully compliant with the requirements of ANSI T1.413-1998 Annex E; ITU-T G.9921, G992.2 Annex E2 Type 2 (North America) G992.5 (ADSL2) & G993.2(VDSL).

The PS-15 I3S ADSL Master POTS Splitter has both RJ jacks and screw type terminals for flexible wiring schemes. The low pass filter circuitry is for continuous phone service in the event of an AC power failure. It is easily wall mounted and can be screwed into place or two-sided adhesive tape can be used.

Wilcom

| Item No. | Mfg. Part No. | Description |
|------------|---------------|--|
| 0000034386 | PS-15-I3S | POTS Splitter ADSL2+ Wall-Mount for Customer Premise |



PS-36 ADSL2+ POTS Splitter

VDSL2+ Master POTS Splitter for Customer Premise (NID Mount)

The Wilcom PS-36 ADSL2+ POTS Splitter is a passive lowpass filter designed to provide POTS service in concert with ADSL technology. The device blocks high frequency (20kHz-30MHz) energy from interfering with POTS equipment. It is compatible with ADSL coding schemes. It is fully compliant with the requirements of ANSI T1.413-1998 Annex E; ITU-T G.9921, G992.2 Annex E2 Type 2 (North America) G992.5 (ADSL2) & G993.2(VDSL).

The unique design of the PS-36 also addresses specific concerns during difficult ringing and ring-trip conditions. It has both RJ jacks and screw type terminals for flexible wiring schemes. The compact DSL Master splitter can be screwed into place or two-sided adhesive tape can be used for mounting the unit to the desired location. It supports connections to 34 MHz for the full 4096 subcarriers and data speeds of 200 Mbps.

Wilcom

| Item No. | Mfg. Part No. | Description |
|------------|---------------|--|
| 0000175649 | PS-36 | POTS Splitter VDSL2 for Customer Premise |

