

Cable Guards

Cable Guards - Metal

Galvanized cable guards are used to protect power and telephone cable at riser installations. They are available flanged and non-flanged. Flanged are also available in galvanized painted green.

Emerson Network Power

Item No.	EMBARQ Item No.	Mfg. Part No.	Description
7211310149	721131	UP1258G	Cable Guard 1.25-Inch x 8-Feet Flanged Green
7211320149	721132	UP2258G	Cable Guard 2.25-Inch x 8-Feet Flanged Green
7211330149	721133	UP3758G	Cable Guard 3.75-Inch x 8-Feet Flanged Green
7200950149	720095	UP758G	Cable Guard 0.75-Inch x 8-Feet Flanged Green
7211570149	721157	UP1258HD	Cable Guard 1.25-Inch x 8-Feet Flanged

Cable Guards - Non-Metallic

- Gray hi-density polyethylene
- Flanged

PREMIER

Item No.	EMBARQ Item No.	Mfg. Part No.	Description
7200107500	720010	PT-PCGF-2-8	Cable Guard 2-Inch x 8-Feet
7203277500	720327	PT-PCGF-3-10	Cable Guard 3-Inch x 10-Feet
7200307500	720030	PT-PCGF-4-8	Cable Guard 4-Inch x 8-Feet
7203287500	720328	PT-PCGF-5-10	Cable Guard 5-Inch x 10-Feet



Cable Guards



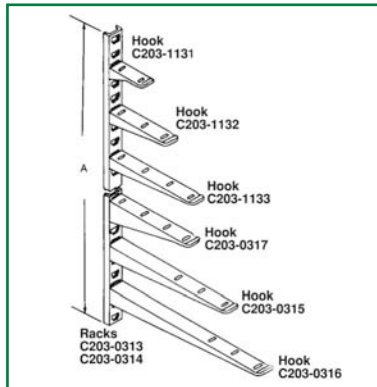
Cable Guards and Straps

Cable guards and straps protect telephone and power lines where circuits lead from underground to overhead.

Hubbell Power Systems (AB Chance)

Item No.	EMBARQ Item No.	Mfg. Part No.	Description
7200260043	720029	400-314-316	Cable U Guard 3/4-Inch x 8-Feet
7217260043	721726	400-314-324	Cable U Guard 1-Inch x 5-Feet
7200290043	720029	6531 1/2	Cable U Guard 1-Inch x 8-Feet RUS
7214860043	721486	400-314-365	Cable U Guard 2-Inch x 5-Feet
7200310043	720031	6533	Cable U Guard 2-Inch x 8-Feet RUS
7217270043	721727	6534T	Cable U Guard 3-Inch x 5-Feet
7215370043	721537	6535	Cable U Guard 3-Inch x 8-Feet
7200330043	720033	400-314-407	Cable U Guard 4-Inch x 8-Feet
7212220043	721222	400-314-753	Cable Strap U Guard 1-Inch
7216780043	721678	6539	Cable Strap U Guard 2-Inch
7216980043		6540	Cable Strap U Guard 3-Inch
7212260043	721226	400-314-795	Cable Strap U Guard 4-Inch
7212230043	721222	400-314-092	Cable Strap U Guard 3/4-Inch
7200220043	720022	400-314-811	Strap Reinforcing Type S
7200190043		400-314-803	Strap Reinforcing Type C
7200530043	720053	400-302-402	Strap Wall Galvanized

Cable Racks and Hooks



Cable Racks and Hooks

Hot dip galvanized racks have hook holes 1-1/2-inches apart. The racks fasten to manhole or interior walls with 1/2-inch x 4-inch expansion bolts (not included). Mounting slots 5/8-inch x 3/4-inch are at the top and bottom of 15-inch, 24-inch and 30-inch lengths overlap for assembly in combinations for overall length desired.

Hot dip galvanized hooks with rounded surfaces have 3/16-inch x 13/16-inch slots for lock clips.

Hubbell Power Systems (AB Chance)

Item No.	EMBARQ Item No.	Mfg. Part No.	Description
7220080043	722008	C203-1124	Rack Cable 8 Holes 15-Inch Galvanized
7220190043	722019	C203-1125	Rack Cable 14 Holes 24-Inch Long
7220140043	722014	C203-1126	Rack Cable 18 Holes 30-Inch Long
7220070043	722007	C203-0313	Rack Cable 37 Holes 55-1/4-Inch Long
7226370043	722637	C203-0314	Rack Cable 47 Holes 70-1/4-Inch Long
7220170043	722017	C203-1131	Hook Cable Rack 4-Inch Galvanized
7220160043	722016	C203-1132	Hook Cable Rack 7-1/2-Inch Galvanized
7220150043	722015	C203-1133	Hook Cable Rack 10-Inch Galvanized
7220850043	722085	C203-0315	Hook Cable Rack 14-Inch Galvanized
7220040043	722418	C203-0316	Hook Cable Rack 18-Inch Galvanized
7223850043	722385	L1100	Rack Cable Hook Locking Clip

Pole Line Hardware



Double Arming Bolts

Double arming bolts have a cone type point and are threaded to within 2 inches of the 1-1/2-inch x 2-inch eye.

- Four square nuts
- Drop-forged steel

Hubbell Power Systems (AB Chance)

Item No.	EMBARQ Item No.	Mfg. Part No.	Description
7240320043	724032	8862	Bolt Double Arming 5/8-Inch x 12-Inch
7240330043	724033	8864	Bolt Double Arming 5/8-Inch x 14-Inch
0000149867	724034	8866	Bolt Double Arming 5/8-Inch x 16-Inch
7240350043	724035	8868	Bolt Double Arming 5/8-Inch x 18-Inch
7240370043	724037	8872	Bolt Double Arming 5/8-Inch x 22-Inch
7246610043	724661	8874	Bolt Double Arming 5/8-Inch x 24-Inch
7240510043	724051	8882	Bolt Double Arming 3/4-Inch x 12-Inch
7240520043	724052	8884	Bolt Double Arming 3/4-Inch x 14-Inch
7240530043	724053	8886	Bolt Double Arming 3/4-Inch x 16-Inch
7240540043	724054	8888	Bolt Double Arming 3/4-Inch x 18-Inch
7241650043	724165	8890	Bolt Double Arming 3/4-Inch x 20-Inch
7240570043	724057	8894	Bolt Double Arming 3/4-Inch x 24-Inch

Pole Line Hardware



Machine Bolts

Hubbell Power Systems (AB Chance)

Item No.	EMBARQ Item No.	Mfg. Part No.	Description
7292890043	729289	8806	Bolt Machine Square Head 5/8-Inch x 6-Inch
3040060043	304006	8807	Bolt Machine Square Head 5/8-Inch x 7-Inch
7241690043	724169	8808	Bolt Machine Square Head 5/8-Inch x 8-Inch
7241720043	724172	8810	Bolt Machine Square Head 5/8-Inch x 10-Inch
7241730043	724173	8812	Bolt Machine Square Head 5/8-Inch x 12-Inch
7241740043	724174	8814	Bolt Machine Square Head 5/8-Inch x 14-Inch
7241750043	724175	8816	Bolt Machine Square Head 5/8-Inch x 16-Inch
7241760043	724176	8818	Bolt Machine Square Head 5/8-Inch x 18-Inch
7241770043	724177	8820	Bolt Machine Square Head 5/8-Inch x 20-Inch
7241790043	724179	8824	Bolt Machine Square Head 5/8-Inch x 24-Inch
7240950043	724095	8912	Bolt Machine Square Head 3/4-Inch x 12-Inch
7240970043	724097	8916	Bolt Machine Square Head 3/4-Inch x 16-Inch
7240980043	724098	8918	Bolt Machine Square Head 3/4-Inch x 18-Inch
7247690043	724769	8920	Bolt Machine Square Head 3/4-Inch x 20-Inch
7244350043	724435	8922	Bolt Machine Square Head 3/4-Inch x 22-Inch
0081100000		8924	Bolt Machine Square Head 3/4-Inch x 24-Inch
4241090043	424109	8926	Bolt Machine Square Head 3/4-Inch x 26-Inch



Carriage Bolts

Carriage bolts have square nuts, finished points and rolled threads. Standard heads have square shoulders.

- Open-hearth steel
- Hot dip galvanized

Hubbell Power Systems (AB Chance)

Item No.	EMBARQ Item No.	Mfg. Part No.	Description
7240080043	724008	400-012-548	Bolt Carriage 3/8-Inch x 8-Inch Galvanized



Pole Line Hardware

Thimbleye® Bolts



- Contoured eye keeps guy strand from kinking, bending or spreading

Hubbell Power Systems (AB Chance)

Item No.	EMBARQ Item No.	Mfg. Part No.	Description
4147140043	414714	5510	Bolt Straight Thimble 5/8-Inch x 10-Inch
7247550043	724755	5512	Bolt Straight Thimble 5/8-Inch x 12-Inch
7245680043	724568	5514	Bolt Straight Thimble 5/8-Inch x 14-Inch
7245690043	724569	5516	Bolt Straight Thimble 5/8-Inch x 16-Inch
7247280043	724728	5010	Bolt Thimbleye Angle 5/8-Inch x 10-Inch
3040330043	304033	5012	Bolt Thimbleye Angle 5/8-Inch x 12-Inch
7242440043	724244	5112T	Bolt Thimbleye Angle 3/4-Inch x 12-Inch
7243950043	724395	5114T	Bolt Thimbleye Angle 3/4-Inch x 14-Inch
7243940043	724394	5014	Bolt Thimbleye Angle 5/8-Inch x 14-Inch
7245610043	724561	5016	Bolt Thimbleye Angle 5/8-Inch x 16-Inch



Eyenuts

Standard eyenuts are most commonly used for deadending, back-guying, and attaching pole head guys on the threaded ends of crossarm bolts. They are drop-forged hot dip galvanized steel.

Thimbleye eyenuts are used for attaching to through bolts or threaded end of straight or angle Thimbleye bolts. Grooves are contoured to protect guy strands. They are drop-forged galvanized steel.

Thimbleye eyenuts are used for attaching to through bolts or threaded end of straight or angle thimbleye bolts for straight-away head guys.

Hubbell Power Systems (AB Chance)

Item No.	EMBARQ Item No.	Mfg. Part No.	Description
7244620043	724462	6511	Nut Thimbleye 3/4-Inch
7270630043	727063	6510	Nut Thimbleye 5/8-Inch
7242610043	724261	400-162-913	Nut Thimbleye 5/8-Inch

Pole Line Hardware

Washers - Curved, Square and Round



Hubbell Power Systems (AB Chance)

Item No.	EMBARQ Item No.	Mfg. Part No.	Description
7246750043	724675	1793344	Washer Curved 2-1/4-Inch Square 5/8-Inch
7245080043	724508	6822	Washer Curved 2-1/2-Inch Square 5/8-Inch
7245050043	724505	1798092	Washer Curved 3-Inch Square 5/8-Inch Bolt
7247330043	724733	1797727	Washer Curved 3-Inch Square 3/4-Inch Bolt
7245060043	724506	6823	Washer Curved 3-Inch Square 3/4-Inch Bolt
7244810043	724481	400-285-011	Washer Curved 3-1/4 Square 3/4-Inch
7245240043	724524	6813	Washer Square 2-1/4-Inch Square 5/8-Inch
0262680043	026268	6814	Washer Square 2-1/4-Inch Square 3/4-Inch
7245530043	724553	6801	Washer Round 3/8-Inch Bolt
7244840043		400-285-169	Washer Round 1/2-Inch Bolt



Square Nuts

Hubbell Power Systems (AB Chance)

Item No.	EMBARQ Item No.	Mfg. Part No.	Description
7244420043	724442	55084P	Nut Square Regular 5/8-Inch Galvanized
7244430043	724443	55085P	Nut Square Regular 3/4-Inch Galvanized
7242540043	724254	55006P	Nut Square Heavy 5/8-Inch Galvanized
7242510043	724251	55312P	Nut Square Heavy 3/4-Inch Galvanized

Pole Line Hardware



Suspension Clamps

Clamps are used with through bolts to support cable at poles. A through bolt also serves as a clamping member. One or more nuts and/or washers are used between the pole and clamp for required spacing.

- 7901 is used on very light cables. This one bolt clamp consists of the two clamping members only.
- 7902-L and 7902-R are used at corners and angles
- 7903 and 7904 are used on straight runs

Hubbell Power Systems (AB Chance)

Item No.	EMBARQ Item No.	Mfg. Part No.	Description
7208470043	720847	7901	Clamp Suspension 1 Bolt
7215570043	721557	7904	Clamp Suspension 3 Bolt
3040220043	304022	7903	Clamp Suspension 3 Bolt
7212140043	721214	7903L	Clamp Suspension Keeper 3 Bolt
7212150043	721215	7902L	Clamp Suspension Angle 3 Bolt
7210810043	721081	7902R	Clamp Suspension Angle 3 Bolt

Pole Line Hardware

One and Two Hole Clamps



- Used to secure cable, pipe, and conduit to various surfaces
- Manufactured from AISI 1018 steel
- Mechanically galvanized to meet ASTM specification B695, class 50, type 1
- Size is stamped on each clamp
- Manufactured in the United States

Allied Bolt Inc.

Item No.	EMBARQ Item No.	Mfg. Part No.	Description
7290060450	729006	9000-8	Clamp 1 Hole 1/2-Inch L-8
7290020450	729002	9000-4	Clamp 1 Hole 1/4-Inch L-4
7290150450		9000-20	Clamp 1 Hole 1-1/4-Inch
7290140450	729014	9000-18	Clamp 1 Hole 1-1/8-Inch
7290130450	729013	9000-16	Clamp 1 Hole 1-Inch L-16
7290010450	729001	9000-3	Clamp 1 Hole 3/16-Inch L-3
7290110450	729011	9000-12	Clamp 1 Hole 3/4-Inch
7290040450	729004	9000-6	Clamp 1 Hole 3/8-Inch
7290030450	729003	9000-5	Clamp 1 Hole 5/16-Inch L-5
7290080450	729008	9000-10	Clamp 1 Hole 5/8-Inch
7290050450	729005	9000-7	Clamp 1 Hole 7/16-Inch L-7
7291050450	729105	9002-17	Clamp 1 Hole 1-1/4-Inch 94-1.20-Inch
7215650450	721565	9000-200	Clamp 2 Hole 1-1/4-Inch T-20
7215660450	721566	9000-260	Clamp 2 Hole 1-5/8-Inch T-28
7215670450	721567	9000-300	Clamp 2 Hole 1-7/8-Inch T-30
7215640450	721564	9000-160	Clamp 2 Hole 1-Inch T-16
7215680450	721568	9000-400	Clamp 2 Hole 2-1/2-Inch T-40
7215630450	721563	9000-120	Clamp 2 Hole 3/4-Inch T-12
7215620450	721562	9000-100	Clamp 2 Hole 5/8-Inch T-10
7215610450	721561	9000-70	Clamp 2-Hole Steel Zinc 7/16-Inch

Pole Line Hardware



C-Span Clamps

C-Span clamps are used in drop cable installations as an attachment to the strand for either accepting the bail of drop wire clamps, or for wrapping the support wire of drop cable.

- Hot dip galvanized
- ASTM spec A153, class B3
- For 1/4-inch to 3/8-inch strand
- Manufactured in the United States

Allied Bolt Inc.

Item No.	EMBARQ Item No.	Mfg. Part No.	Description
7210360450	721036	4044	Clamp C Span



Cable Clamps

Cable clamps are used to attach cable, conduit, and pipe to masonry or wood.

- Manufactured from AISI 1018 steel
- Mechanically galvanized to meet ASTM specification B695, class 50, type 1
- Size is stamped on each clamp
- Manufactured in the United States

Allied Bolt Inc.

Item No.	EMBARQ Item No.	Mfg. Part No.	Description
7292160450	729216	9002-1	Clamp Cable Size 1

Pole Line Hardware



Lag Screws

Lag screws attach pole line hardware to poles, crossarms and wood structures.

Allied Bolt Inc.

Item No.	EMBARQ Item No.	Mfg. Part No.	Description
0050340450	005034	762	Screw Lag 1/4 x 3-Inch Galvanized
0050600450	005060	579	Screw Lag 3/8 x 1-1/2-Inch Galvanized
0050360450	005036	582	Screw Lag 3/8 x 4-Inch Galvanized
0050370450	005037	581	Screw Lag 1/2 x 3-Inch Galvanized
0050380450	005038	580	Screw Lag 1/2 x 4-Inch Galvanized
7244940450	724494	720	Screw Lag Hex Head Galvanized 1/2-Inch x 2-Inch
7246080450	724608	722	Screw Lag Hex Head Galvanized Gimlet Point



Gimlet Lag Screw

Lag Screws

Lag screws attach pole line hardware to poles, crossarms and wood structures.

Hubbell Power Systems (AB Chance)

Item No.	EMBARQ Item No.	Mfg. Part No.	Description
7240920043	724092	8722GP	Screw Lag 1/4-Inch x 2-Inch Gimlet
7243920043	724392	508744	Screw Lag Fettered 3/8 x 4-Inch
5333830043	533383	508754-1/2	Screw Lag Fettered 1/2 x 4-1/2-Inch

Pole Line Hardware



Drive Hooks

Drive Hooks are used to support drop wire clamps, deadend clamps, and service drops on telephone poles and buildings.

- Curved upward fetter type thread that can be either wrenched or driven
- Formed from AISI 1018 steel
- Hot dip galvanized to meet ASTM spec A153, Class B3

Allied Bolt Inc.

Item No.	EMBARQ Item No.	Mfg. Part No.	Description
7217280450	721728	920	Hook Drive B 7/16-Inch x 4-3/4-Inch



Drive Hooks

Hooks are for use with drop wire clamps when a house hook is not used.

Hubbell Power Systems (AB Chance)

Item No.	EMBARQ Item No.	Mfg. Part No.	Description
0262720043	026272	C205-0190	Hook Drive, Fetter Drive Threads, Pilot Point, 7/16 x 4-3/4-Inch, Galvanized

Drive Hooks

Drive hooks are used to support bail-type drop wire clamps to poles.

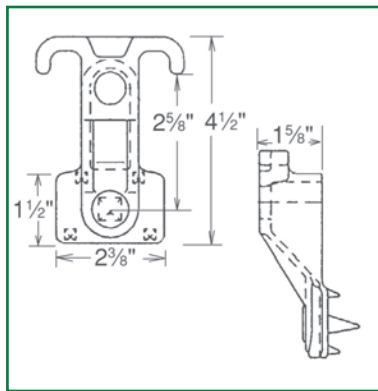
- Galvanized to ASTM A153 or B695
- Fetter drive threads

Thomas & Betts

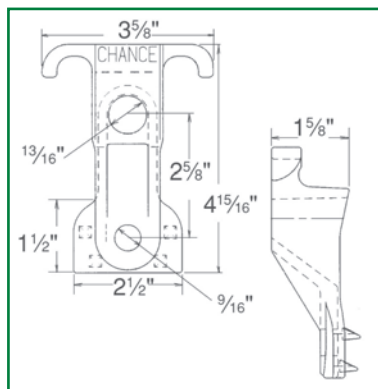
Item No.	EMBARQ Item No.	Mfg. Part No.	Description
7214020318	721402	40-43007	Hook Drive 7/16-Inch Diameter x 4-3/4-Inch Long

Pole Line Hardware

Guy Hooks



Guy hooks are used in down or span guy applications. Spurs resist down slotting. The overturning action is resisted by the wide lower curved heel pad.



Hubbell Power Systems (AB Chance)

Item No.	EMBARQ Item No.	Mfg. Part No.	Description
7201430043	720143	GH5ILS	Hook Guy B 5/8-Inch
7201420043	720142	400-149-928	Hook Guy Lag Spur 3/4-Inch Hole
7214080043	721408	GH6	Hook Guy 1/2-Inch Lag 3/4-Inch Bolt



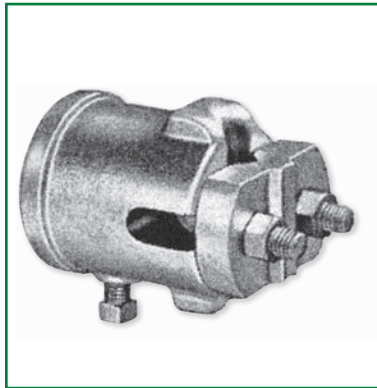
Serving Sleeves

Serving sleeves are for holding down the loose end of guy strand projecting beyond the guy clamp. Serving sleeves, which have a flared end to speed application, are faster to apply than wire wrap sleeves.

Hubbell Power Systems (AB Chance)

Item No.	EMBARQ Item No.	Mfg. Part No.	Description
7211030043	721103	401-093-034	Sleeve Serving 1/4-Inch
7211010043	721101	6453	Sleeve Serving 5/16-Inch
7211020043	721102	6454	Sleeve Serving 3/8-Inch

Pole Line Hardware



Sidewalk Guy Fittings

These fittings are used along sidewalks or near buildings where space is not available for standard guying.

- 0501 pole plate is attached with one 5/8-inch bolt and two 1/2-inch lag screws
- 0502 and 0512 end fittings clamp the strand

Hubbell Power Systems (AB Chance)

Item No.	EMBARQ Item No.	Mfg. Part No.	Description
7211490043	721149	502	Sidewalk Guy End Fitting 2-Inch
5303710043	530371	501	Sidewalk Guy Pole Endplate 2-Inch

Pole Steps



Detachable pole step mounts on a lag secured base.

Pole steps have rolled fether drive threads and a wide, flat driving surface make installation fast and easy. A knurled ring indicates the proper driving depth.

Hubbell Power Systems (AB Chance)

Item No.	EMBARQ Item No.	Mfg. Part No.	Description
7215410043	721541	6235	Step Lag And Plate Assembly
7215430043	721543	506125	Step Hook Drive 5/8-Inch x 10-Inch

Pole Line Hardware



Cable Extension Arms

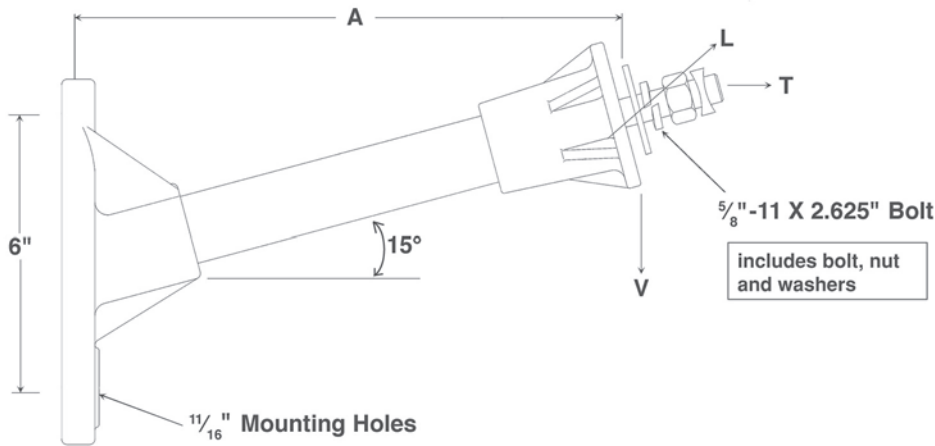
Cable extension from the pole is 23-inch for 7920 and 41-inch for 7921. Cable clamps with attachment bolt and pole mounting bolts, or lag screws, must be ordered separately.

Hubbell Power Systems (AB Chance)

Item No.	EMBARQ Item No.	Mfg. Part No.	Description
7210050043	721005	7920	Arm Cable Extension 26-Inch
7210060043	721006	7921	Arm Cable Extension 44-1/2-Inch

Stand Off Brackets

Stand off brackets are used to meet cable spacing requirements.



Hubbell Power Systems (AB Chance)

Item No.	EMBARQ Item No.	Mfg. Part No.	Description
5303760043	530376	1CSM12	Bracket Stand Off Single Phase 12-Inch
5303750043	530375	1CSM18	Bracket Stand Off Single Phase 18-Inch
5303730043	530373	1CSM24	Bracket Stand Off Single Phase 24-Inch

Telephone House Brackets

- Attaches telephone leads to the home

Hubbell Power Systems (AB Chance)

Item No.	EMBARQ Item No.	Mfg. Part No.	Description
7201560043	720156	400-017-836	Bracket, L Corner



Pole Line Hardware



Two-Hole Strap

Two-hole straps are used to attach conduit, pipe, and cable to telephone poles and other surfaces.

- Legs have a 5-inch offset for making attachments to round surfaces
- Stamped from a thinner gauge (more pliable) steel than two hole clamps
- Cable size stamped from AISI 1018 cold rolled steel
- Mechanically galvanized to meet ASTM specification B 695, class 50, type 1
- Manufactured in the United States

Allied Bolt Inc.

Item No.	EMBARQ Item No.	Mfg. Part No.	Description
7202440450	720244	9003-9	Strap Cable Number 9
7200590450	720059	9003-13	Strap Cable Number 13
7200610450	720061	9003-16	Strap Cable Number 16
7200620450	720062	9003-20	Strap Cable Number 20
7200630450	720063	9003-24	Strap Cable Number 24
7200640450	720064	9003-30	Strap Cable Number 30
7200660450	720066	9003-42	Strap Cable Number 42
7200670450	720067	9003-56	Strap Cable Number 56



Reinforcing Strap

Reinforcing straps are used in aerial construction as an added support for three-bolt suspension clamps.

- Stamped from AISI 1018 steel
- Mechanically galvanized to meet ASTM specification B695, class 50, type 1
- Manufactured in the United States

Allied Bolt Inc.

Item No.	EMBARQ Item No.	Mfg. Part No.	Description
7200190450	720019	102	Strap Reinforcing C
7200220450	720022	103	Strap Reinforcing S

Pole Line Hardware



Lashing Clamps - Zinc

Lashed cable support clamps are used to support CATV and telephone cables from the strand.

- Tapered ends
- 3/4-inch wide
- Stamped from high strength zinc alloy
- Manufactured in the United States
- Also available in stainless steel

Allied Bolt Inc.

Item No.	EMBARQ Item No.	Mfg. Part No.	Description
7215730450	721573	18910	Lashing Cable Support Zinc 10-Inch
7215750450	721575	18920	Lashing Cable Support Zinc 16-Inch
7215770450	721577	18930	Lashing Cable Support Zinc 22-Inch
7215790450	721579	18940	Lashing Cable Support Zinc 28-Inch
7215830450	721583	18960	Lashing Cable Support Zinc 50-Inch

T&B Deltec™ Cable Support System

The Deltec Cable Support system is a user-friendly product designed to provide ease and flexibility in fastening aerial cables to messenger strand. It is equally well suited for copper conductor cable, coaxial, fiber optic cable and inner duct in aerial applications.

Deltec cable straps are available in standard lengths of 10, 13 1/2, 16 and 27 inches, and in convenient 50 foot reels where specific lengths can be established by the installer in the field.

- No sharp edges-craft friendly
- Ease of installation-one wrap, no re-threading of strap
- High tensile strength after fastening
- Stackable spacers accommodate all requirements
- In situations where multiple cables are supported, the T&B stackable spacer may be rotated 90 degrees and installed similar to a single cable, yet providing the same restricting features

Thomas & Betts

Item No.	EMBARQ Item No.	Mfg. Part No.	Description
7213450318	721345	CSS-135	Cable Strap with Double Locking Head, 13.5-Inches Long
7213440318	721344	CSS-270	Cable Strap with Double Locking Head, 27-Inches Long
7396530318	739653	CSS-50R	Reel of Strap 50 Foot
0000012788	739651	CSS-LH	Locking Heads Molded Acetal with Metal Locking Device
7396520318	739652	TCP360	Spacers Cable Modular Stackable 1/2-Inch High
7464280318	746428	WT3D	Installation Tool for Ty-Rap and Deltec, Self-Locking, .184 Thru .500 Body Width



Pole Line Hardware

Strandwise, Strandlink and Accessories



Universal grade strandwise and strandlink is recommended for use on Alumoweld, aluminized extra high strength, stainless steel, and galvanized steel guystrand and messenger wire applications. The heavier grade product is capable of handling higher tensile strength strand than the all grades product.

MacLean Power/Reliable

Item No.	EMBARQ Item No.	Mfg. Part No.	Description
7214920495	721492	5001	Strandwise 5/16-Inch Strand
7214930495	721493	5002	Strandlink 3/8-Inch Galvanized Strand
7214810495	721481	5040	Strandlink 1/4-Inch Alumoweld
7214820495	721482	5041	Strandlink 5/16-Inch Alumoweld
7214830495	721483	5042	Strandlink 3/8-Inch Alumoweld
7214940495	721494	5043	Strandlink 7/16-Inch Galvanized Strand
7213250495	721325	5101	Strandwise 5/16-Inch Galvanized Strand
7213230495	721323	5102	Strandwise 3/8-Inch Galvanized Strand
7211290495	721129	5149	Strandwise All Grades 3/16-Inch
7210130495	721013	5151	Strandwise All Grades 5/16-Inch
0000073204		5152	Strandwise All Grades 3/8-Inch
7213010495	721301	5200	Strandwise 1/4-Inch Strand
7213020495	721302	5201	Strandwise 5/16-Inch Strand
7213030495	721303	5202	Strandwise 3/8-Inch Strand
7213260495	721326	5203	Strandwise 7/16-Inch Strand
7211890495	721189	5262	Strandwise Universal 1/4-Inch
7211160495	721116	5056	Wirewise .062-.1-Inch
7213610495	721361	5058	Deadend Wirewise .102 - .114-Inch
7213620495	721362	5062	Deadend Wirewise .120 - .134-Inch
7213370495	721337	5063	Wirelink Any Grade .120-.134-Inch 11BWG
7213350495	721335	5057N	Wirelink *P* .072-.100-Inch 14BWG+12AWG
7215310495	721531	5059N	Splice Wirelink for .109-Inch
7215320495	721532	5063N	Splice Wirelink for .134-Inch

Suspension and Drop Hardware



Drop Wire Clamp

Aerial Drop Hardware

- Made of stainless steel for extra strength
- RUS approved
- Made in the U.S.A.

PREMIER

Item No.	EMBARQ Item No.	Mfg. Part No.	Description
0000028826	721457	907D	Drop Wire Clamp 2-Pair Stainless Steel with Dimpled Shim
7236340450	723634	963	Drop Wire Clamp 6-Pair Stainless Steel with Dimpled Shim
0000083297	721035	4040	D Cable Lashing Clamp , Galvanized, Grade 5 Steel Stud, For 1/4" to 7/16" Strand
0000028829	721088	18922	Lashed Cable Support .010" x .75" x 16" Stainless Steel with Tapered Ends

Drop Wire Clamps (Telephone)

Drop wire clamps are used to support both ends of telephone drop, at strand and building.

- 557 lb. tensile strength for 1-2-pair aluminum and stainless steel. 750 lbs for 6-pair
- Suitable for 1-2-pair .200-inch max. height and .410-inch max. width
- 8-pair: .300-inch max. height and .500-inch width
- Stainless steel bail on all versions

Thomas & Betts

Item No.	EMBARQ Item No.	Mfg. Part No.	Description
7214570318	721457	23-88885	Clamp Drop Wire 2-Pair SS Dimpled Shim 2BG
0000089104	517731	23-82351	Clamp Drop Wire 6-Pair Aluminum Dimpled Shim



Suspension and Drop Hardware



Drop Wire Clamp

Six-Pair Drop Wire Clamp

The 6-pair drop wire clamp is used to support 6-pair telephone drop wire at span clamps, drive hooks, and various drop attachments.

- Aluminum clamps are stamped from 5052-H34 aluminum. The bail wires are formed from 430 stainless steel
- Drop wire clamps shall hold, without slippage, a suitable length of drop wire until sufficient load is applied to break the drop wire or to a maximum load of 800 pounds
- All six pair drop wire clamps have dimpled shims

Allied Bolt Inc.

Item No.	EMBARQ Item No.	Mfg. Part No.	Description
7213270450	721327	960	Clamp Drop Wire 6-Pair Aluminum Dimpled Shim

Drop Wire Clamps 2 and 6 Pair

MacLean's 2-pair series of drop wire clamps are designed to support both ends of an aerial service drop using one or two pair drop wire. The 2-pair series of drop wire clamps is compatible with most one and two pair aerial service drop wire (.200-inch maximum height and .390-inch maximum width). MacLean offers both stainless steel and aluminum clamps with plastic, metal perforated or dimple shims. Clamps can be packaged 2 or 25 clamps per poly bag.

MacLean's 6-pair series of drop wire clamps are designed to support both ends of an aerial service drop using six pair fiber reinforced drop wire. The 6-pair series of drop wire clamps is compatible with most six pair aerial service drop wire (.300-inch maximum height and .530-inch maximum width). MacLean offers both stainless steel and aluminum clamps with a dimpled metal shim.

MacLean Power/Reliable

Item No.	EMBARQ Item No.	Mfg. Part No.	Description
7214540495	721454	2PRA	Clamp Drop Wire 2-Pair Aluminum Plastic Shim
7214620495	721462	6PRDS	Clamp Drop Wire 6-Pair SS Metal Shim 6PRDS

Suspension and Drop Hardware

“E” Drop Wire Clamps

The “E” drop wire clamps are used to secure telephone drop wire cable runs.

- Mechanically galvanized ASTM B695
- Transverse ribs grip cable to prevent abrasion

Thomas & Betts

Item No.	EMBARQ Item No.	Mfg. Part No.	Description
7201370318	720137	23-80361	Clamp Drop Wire E 1-Pair Steel 23-80361
7202420318	720242	23-80362	Clamp Drop Wire 1-Pair Steel A
7214760318	721476	23-80370	Clamp Drop Wire E 2-Pair

One Hole Clamps

One hole clamps are used to support cable, conduit or pipe.

- Mechanically galvanized ASTM B695

Thomas & Betts

Item No.	Mfg. Part No.	Description
0000049427	24-80003	Clamp 1 Hole 3/16-Inch Pipe or Cable Size Hole Diameter 7/32-Inch
0000094068	24-80004	Clamp 1 Hole 1/4-Inch Pipe or Cable Size Hole Diameter 7/32-Inch

E Span Clamp

The “E” span clamp provides drop wire take offs at mid-span.

- Steel components mechanically galvanized ASTM B695

Thomas & Betts

Item No.	EMBARQ Item No.	Mfg. Part No.	Description
7200690318	720069	27-00865	Clamp E Span 1/4-Inch, 7/16-Inch Clamp, Range CA8391

Station Ground Clamps

Station ground clamps are used for connecting ground or bonding wires to galvanized or copper pipe or conduit. For use in telephone, communication, CATV or alarm system applications, they consist of copper strips (#13L is tin plated) with brass nuts, screws and washers.

- UL approved

MacLean Power/Reliable

Item No.	EMBARQ Item No.	Mfg. Part No.	Description
7230110495	723011	24-80004	Clamp Ground Station 6-Inch, 14AWG, .875-Inch to 1.6-Inch Outside Diameter



Suspension and Drop Hardware

Universal Ground Clamps

The Universal Ground Clamp is a copper alloy clamp that is used as a reliable, positive, ground connection with all types of grounding conductors, water service pipes, electrical service conduits, and ground rods of all sizes used in line installations.

The ground clamps are available with straps of 6-inch, 12-inch, or 14-inch lengths depending on the diameter to be grounded. For diameters larger than 4 inches, two or more straps can be joined together to form one ground clamp.

Senior Industries

Item No.	EMBARQ Item No.	Mfg. Part No.	Description
7260410866	726041	SI-2165	Clamp Ground Adjustable, 2 Piece, Non-Corrosive For Meter Boxes



Drive Ring

Drive rings are used for supporting wire on building walls or poles.

- Comprised of two parts, a steel pin and a U shaped ring
- Manufactured from AISI 1016 steel
- All components are hot dipped galvanized to meet ASTM specification A153 class D

Allied Bolt Inc.

Item No.	EMBARQ Item No.	Mfg. Part No.	Description
3029850450	302985	4004	Drive Ring Galvanized 7/8-Inch x 2 9/16-Inch Nail Length



Screw Hook

Hooks are used to attach wedge type service drops and deadend clamps to crossarms, poles or buildings.

- 0317 screw hook has 3/8-inch gimlet threads

Hubbell Power Systems (AB Chance)

Item No.	EMBARQ Item No.	Mfg. Part No.	Description
7214060043	721406	0317	Hook Screw 3/8-Inch x 4-Inch

Suspension and Drop Hardware



B Drop Wire Hook (Rams Horn)

B drop wire hooks are used as an attachment to wood or masonry for accepting the bail of drop wire clamps.

- Installed with a #18 tapping screw
- Formed from AISI 1018 steel
- Mechanically galvanized to meet ASTM specification B695 class 50 type 1

Allied Bolt Inc.

Item No.	EMBARQ Item No.	Mfg. Part No.	Description
7210890450	721089	666	Hook Dropwire B Galvanized Steel 666

Telephone "S" Clips

The "S" clips are used to secure telephone drip loop to "B" drop wire hook (ramshorn). Ribs provide positive grip on drop wire. Aluminum "S" clip to be secured with lineman's pliers.

Thomas & Betts

Item No.	EMBARQ Item No.	Mfg. Part No.	Description
7214640318	721464	23-80262	Clip Cable 'S' Drop Wire 6-Pair 100Pk 500Bx

S and SC Wire Clip

Wire clips are S shaped one piece aluminum clips. In phone applications, S clips are used to secure the drip loop at the building. In CATV applications, S Clips are used to prevent separation of the coaxial cable from the support wire.

- S clips for CATV are smooth
- S clips for phone have perforations for providing a positive hold on the drop cable
- Stamped from 5052 dead-soft aluminum

Allied Bolt Inc.

Item No.	EMBARQ Item No.	Mfg. Part No.	Description
0082180000	067678	905P	Clip SC Drop Wire for 1 - 2 Pair Drop Wire

Dead Ends



GUY-GRIP® Dead-Ends

GUY-GRIP dead-ends are made of the same material as the strand to which they are applied (galvanized steel, aluminum coated steel, stainless steel and copperweld). No tools required. This unique, one-piece dead-end is neat in appearance and free from bolts or high-stress holding devices. GUY-GRIP dead-ends are intended for use on single wood poles associated with distribution construction. The GUY-GRIP dead-end (GDE) was the first to offer the cabled loop, a feature that provides more durability, easier tensioning and adaptability to multiple guying.

Preformed Line Products

Item No.	EMBARQ Item No.	Mfg. Part No.	Description
7201010142	720101	GDE-2102	Dead-End 3/16 x 20-Inch C-Coat Red
7212310142	721231	GDE-1104	Dead-End 1/4 x 25-Inch B-Coat Yellow
7212360142	721236	GDE-2104	Dead-End 1/4 x 25-Inch C-Coat Yellow
7212330142	721233	GDE-1107	Dead-End 3/8 x 35-Inch B-Coat Orange
7212380142	721238	GDE-2107	Dead-End 3/8 x 35-Inch C-Coat Orange
7212320142	721232	GDE-1106	Dead-End 5/16 x 31-Inch B-Coat Black
7212370142	721237	GDE-2106	Dead-End 5/16 x 31-Inch C-Coat Black
7217160142	721716	GDE-1108	Dead-End 7/16 x 38-Inch B-Coat Green
7212390142	721239	GDE-2108	Dead-End 7/16 x 38-Inch C-Coat Green
7217090142	721709	GDE1104LA	Dead-End 1/2 x 25-Inch Yellow

C-Rural Dead-Ends

C-Rural dead-ends are an inexpensive way of safely dead-ending one-pair aerial distribution wire to a drive hook, eye bolt or through bolt. Their design prevents the formation of corrosion pockets and assures long maintenance-free service life. They are designed for use with high-density linear polyethylene one-pair aerial distribution wire or conventional polyethylene covered C-Rural wire.

Preformed Line Products

Item No.	EMBARQ Item No.	Mfg. Part No.	Description
7212180142	721218	NDE-8502	Dead-End C-Rural 22-Inch White
7212190142	721219	NDE-8503	Dead-End C-Rural 30-Inch Yellow
7202790142	720279	NDE-9500	Dead-End Drop Wire Black
7212210142	721221	NDE-9502	Dead-End Drop Wire Green

Dead Ends

False Dead-Ends

False dead-ends are a fast and economical method for false dead-ending strand. They are easily applied without any special tools. They permit easy transition of strand/messenger where crossover and sharp angles exist.

Preformed Line Products

Item No.	EMBARQ Item No.	Mfg. Part No.	Description
7212010142	721201	GFDE-2121	Dead-End False 1/4 x 36-Inch Yellow
7212030142	721203	GFDE-2124	Dead-End False 3/8 x 42-Inch Orange
7212020142	721202	GFDE-2123	Dead-End False 5/16 x 39-Inch Black
7212040142	721204	GFDE-2125	Dead-End False 7/16 x 48-Inch Green

Dead-End for Figure-8 Messenger

Figure-8 dead-ends provide a quicker, easier way to attach Figure-8 wire or cable than with dead-ends for Figure-8 coaxial cable messengers. Several sizes are available for .063-inch - .134-inch diameter messengers. Strip the messenger to accommodate the dead-end and wrap the dead-end on for a secure permanent installation. The helical shape will ensure low distribution of holding stresses and prevent premature fatigue breakage.

Preformed Line Products

Item No.	EMBARQ Item No.	Mfg. Part No.	Description
7200970142	720097	DE-2506	Dead-End Fig 8 DW Messenger .083

Dead-Ends - Other

- Various dead-ends for miscellaneous applications

Preformed Line Products

Item No.	EMBARQ Item No.	Mfg. Part No.	Description
0000002536		2872004	Dead-End Limit Tension Orange
0000082063		2872005C1E1	Dead-End Limited Tension
0000009744		2872104C1E1	Dead-End Med Tension .614-.651
7201040142	720104	MDE-2106	Dead-End Multi-Drop
7212420142	721242	CWDE-5509	Dead-End OW 10AWG 12-Inch Blue
7212440142	721244	GDE-2503	Dead-End OW 10BWG 14-Inch Orange
7212460142	721246	GDE-2501	Dead-End OW 12BWG 12-Inch Black
5333420142		CWDE-5512	Dead-End OW 6AWG 16-Inch Green

Tangent Support

Standard loop and elongated loop tangent supports are intended to protect and separate one-pair aerial wires on a common drive hook. They accomplish this in the safest, easiest way possible: just wrap them on and hang them up. Because they wrap on in seconds without tools, they keep installation expense down and provide long, trouble-free service at the lowest possible cost.

Preformed Line Products

Item No.	EMBARQ Item No.	Mfg. Part No.	Description
7215930142	721593	ETS-3101	Tangent Support Elongated Orange
7201070142	720107	TS-3100	Tangent Support Standard Loop Orange
7215910142	721591	TS-2100	Tangent Support Standard Loop White



Guy Guards



Guy Guards

Guy guards offer several advantages: the outside diameter of applied dead-ends is not a factor in product selection; a wide range of strand sizes (3/16-inch to 1/2-inch) can be accommodated by one size guy guard and it can be installed quickly without bolts or metal parts. Made of a high-impact PVC plastic, guy guards retain good physical characteristics over a range of extreme temperatures, and are self-extinguishing when exposed to fire.

Preformed Line Products

Item No.	EMBARQ Item No.	Mfg. Part No.	Description
0000085391		PG-5516	Guy Marker 6-Foot PVC Round Profile Yellow
7209720142	720972	PG-5517	Guy Marker 7-Foot PVC Round Profile Yellow
7214370142	721437	PG-5518	Guy Marker 8-Foot PVC Round Profile Yellow



Poly Guy Guards

The poly guy guard's tubular body is made from polyethylene to provide resistance to weathering and low temperatures. The pigtail is PVC because the spring-like characteristics of this material are desired for this application.

Preformed Line Products

Item No.	EMBARQ Item No.	Mfg. Part No.	Description
5171790142	517179	PG-5718P	Guy Marker 1-1/2-Inch x 8-Foot Poly B Yellow
0000042571		PG-5738	Guy Marker 1-1/2-Inch x 8-Foot Poly Round Orange
0262800142	026280	PG-5405	Guy Marker 1-1/2-Inch x 8-Foot Poly Round Yellow
7213950142	721395	PG-5718	Guy Marker 1-1/2-Inch x 8-Foot Poly Round Yellow
7213930142	721393	PG-5716	Guy Marker 6-Foot Poly Round Yellow

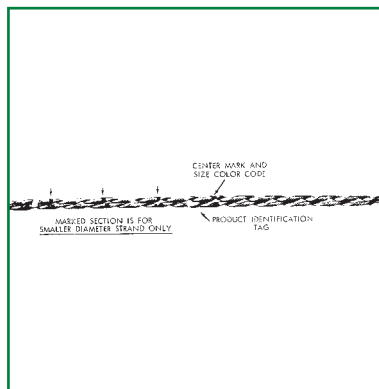
Strand Splices

Open Wire Splice

Open wire splices are used for mid-span splicing during new construction and for repair of abraded or severed wire at tie points. They provide armoring at the tie to protect the conductor from damaging effects of chafing and fretting. Open wire splices wrap on easily by hand without a need for wire cutting. They permanently restore the full mechanical strength and conductivity of the conductor to which they are applied.

Preformed Line Products

Item No.	EMBARQ Item No.	Mfg. Part No.	Description
7215210142	721521	GLS-3103	Open Wire Splice 10BWG 14-Inch Orange
7213350142	721335	GLS-3101	Open Wire Splice 12BWG 12-Inch Black



Reducing Splice

Reducing splices are designed to permanently join two strands of different diameters. Without any loose parts, jaws to seat, or teeth to bite into the strand, the reducing splice permits a spinner free travel without adjusting the gates or lifting the spinner over the splice. The reducing splices are compatible with all grades of galvanized steel strand.

Preformed Line Products

Item No.	EMBARQ Item No.	Mfg. Part No.	Description
7201030142	720103	LSR-2122	Reducing Splice 35-Inch Yellow
7217140142	721714	LSR-2123	Reducing Splice 42-Inch Black
7217150142	721715	LSR-2125	Reducing Splice 42-Inch Yellow
7203470142	720347	LSR-2124	Reducing Splice 50-Inch Orange



Strand Splice

Strand splices are used to join strand/messenger lengths or to repair simply and economically. The strand splice provides maximum strength and excellent fatigue characteristics resulting in longer life for strand or messenger. They permit a spinner-free travel without adjusting the gates or lifting the spinner over the splice. They are available for both standard C-coat utility grade and extra high strength (EHS), as well as B-coat.

Preformed Line Products

Item No.	EMBARQ Item No.	Mfg. Part No.	Description
7292910142	729291	GLS-1104	Strand Splice 1/4-Inch B-Coat Yellow
7214740142	721474	GLS-2104	Strand Splice 1/4-Inch x 35-Inch C-C Yellow
7214720142	721472	GLS-2118	Strand Splice 3/8-Inch x 34-Inch C-C Orange
7212570142	721257	GLS-2107	Strand Splice 3/8-Inch x 50-Inch C-C Orange
7214710142	721471	GLS-2117	Strand Splice 5/16-Inch x 29-Inch C-C Black
7212990142	721299	GLS-2106	Strand Splice 5/16-Inch x 42-Inch C-C Black
7203460142	720346	GLS-2108	Strand Splice 7/16-Inch x 56-Inch C-C Green



Tree Guards and Air Spoilers

Tree Guards



Tree guards are designed to protect bare conductors and fabric-covered or plastic-covered cables against mechanical abrasion caused by tree limbs or other obstructions.



Tree guards provide fast, easy application without disconnecting the wire. Helical strips are matched, then wrapped over and around the wire, and taped at each end. High-impact polyvinyl chloride has strong abrasion resistance, strong weathering endurance, and high dielectric properties.

Preformed Line Products

Item No.	EMBARQ Item No.	Mfg. Part No.	Description
7214390142	721439	PTG-0155	Tree Guard .948-1.010-Inch x 6-Foot Gray
7292950142	729295	PTG-0207	Tree Guard 1.51-2.00-Inch x 6-Foot Black
7209960142	720996	PTG-0208	Tree Guard 2.01-3.00-Inch x 6-Foot Black
5303800142	530380	PTG-0201	Tree Guard.238-.500-Inch x 6-Foot Black



Air Flow Spoilers

Air flow spoilers are designed to counteract a damaging wind-related phenomenon known as dancing or galloping. Dancing is a low-frequency, high-amplitude motion that can cause cable damage and damage to supporting structures and hardware.

Preformed Line Products

Item No.	EMBARQ Item No.	Mfg. Part No.	Description
7291880142	729188	5058102	Air Flow Spoiler .563-Inch
7291890142	729189	5058103	Air Flow Spoiler .760-Inch
7291850142	729185	50589319	Air Flow Spoiler 1.543-1.686-Inch