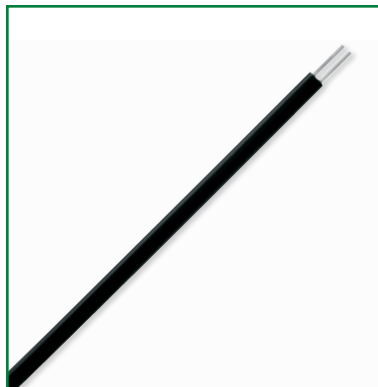


# Distribution and Service Wire



C-Rural Wire

## C-Rural Wire

"C" Rural wire is a self-supporting insulated one pair parallel wire intended for aerial distribution in rural exchange areas. Two solid 30% conductivity extra high strength (EHS) copper covered steel conductors insulated with solid high density black polyethylene. The insulation is applied over the conductors in parallel to form an integral dual configuration. A polarity ridge on one minor face of the insulation is located 45° above the major axis of the wire cross section.

### PREMIER

Item No.	EMBARQ Item No.	Mfg. Part No.	Pair / AWG	Package	Length (Ft)
0000070663		2091013	1 / 12	Reel	4000
0000070681	373003	3114733	1 / 14	Reel	5000



Double Jacketed Buried Service Wire

## Buried Distribution Wire

Buried distribution wire (BDW) is a multiple pair double jacket drop wire with either a smooth copolymer-coated 8-mil aluminum tape or a 5-mil corrugated copper-clad alloy steel (CCAS) tape shield. The inner and outer jackets are a black low density polyethylene. The aluminum tape shield is recommended for non-gopher areas.

- Conductors: Solid annealed copper
- Insulation: High density polyethylene
- Package: Wood reel
- Rip cord

### PREMIER

Item No.	EMBARQ Item No.	Mfg. Part No.	Pair / AWG	Shield	Core Filling	Length (Ft)
0000070672		2095138	2 / 22	Aluminum	80° C Compound	1000
0000070669		2095125	2 / 22	Aluminum	80° C Compound	2500
0000070670		2095127	3 / 22	Aluminum	80° C Compound	2500
0000082053		2095130	6 / 22	Aluminum	80° C Compound	5000
0000070673	068810	2095151	3 / 22	CCAS	80° C Compound	1000
0000070668	361032	2095064	3 / 22	CCAS	80° C Compound	2500
0000070676	361026	2096103-2095016	3 / 22	CCAS	80° C Compound	5000
0000081102		2096117-2095067	3 / 24	CCAS	80° C Compound	2500
0000107266		2095066	3 / 24	CCAS	80° C Compound	5000
0000109594	069636	2096140	3 / 24	CCAS	Dry Powder	2500
0000145569		2096119	6 / 22	CCAS	80° C Compound	300
0000070674	361012	2096100-2095150	6 / 22	CCAS	80° C Compound	1000
0000069257	362043	2096102-2095065	6 / 22	CCAS	80° C Compound	2500
0000069256	066069	2095063	6 / 22	CCAS	80° C Compound	5000
0000082604		2096118-2095068	6 / 24	CCAS	80° C Compound	2500



# Distribution and Service Wire

## Buried Service Wire

Buried service wire (BSW) is a multiple pair single jacket drop wire with a smooth copolymer-coated 8-mil aluminum tape, a 5-mil corrugated copper-clad alloy steel (CCAS) tape or is unshielded. The jacket is a black linear low density polyethylene. The aluminum tape shield and the unshielded are recommended for non-gopher areas.

- Conductors: Solid annealed copper
- Insulation: High density polyethylene
- Rip cord

### PREMIER

Item No.	EMBARQ Item No.	Mfg. Part No.	Pair / AWG	Shield	Core Filling	Package	Length (Ft)
0000070677		2096120	2 / 22	Aluminum	80° C Compound	Reel	1000
0000070678		2096121	2 / 22	Aluminum	80° C Compound	Reel	2500
0000070679		2096122	3 / 22	Aluminum	80° C Compound	Reel	1000
0000070680		2096123	3 / 22	Aluminum	80° C Compound	Reel	2500
0000119423	070055	2096138	4 / 24	None	Dry Powder	Coil	300
0000118238	069957	2096128	4 / 24	None	Dry Powder	Reel	2500
0000123849		2096139	4 / 24	None	Dry Powder	Reel	10,000

## Temporary Drop Wire

### Temporary Drop Wire

Temporary drop wire is a safety orange colored non-shielded drop wire intended to temporarily extend or replace service until permanent drop wire can be installed.

- Conductors: Solid annealed copper
- Insulation: Polyethylene
- Jacket: Bright orange color PVC

### PREMIER

Item No.	EMBARQ Item No.	Mfg. Part No.	Pair / AWG	Package	Length (Ft)
3300317500	330031	ADW-TEMP-1P24-P2000	1 / 24	Pop Box	2000
0000058108		ADW-TEMP-2P22-P1000	2 / 22	Pop Box	1000



# Cross Connect Wire



Cross Connect Wire

## Cross-Connect Wire

Cross connect wire consists of solid, bare copper conductors with PVC insulation. The conductors are band marked with the color of the paired wires. Cross connect wire is designed for use in cross connecting apparatus in residential, commercial, and industrial applications. Cross connect wire has a minimum 2 twists per foot. Type F and Type H cross connect wire has a minimum 3 twists per foot.

### PREMIER

Item No.	EMBARQ Item No.	Mfg. Part No.	Description
3140117500	314011	PT-XC-1P24-BL/WH-S1000	1 Pair 24 Gauge 1000 Foot Spool BL-WH
3140237500	314023	XC-1P24-GN/WH-S1000	1 Pair 24 Gauge 1000 Foot Spool GN-WH
3140247500	314024	XC-1P24-OR/WH-S1000	1 Pair 24 Gauge 1000 Foot Spool OR-WH
3140007500	314000	PT-XC-1P24-VI/WH-1000	1 Pair 24 Gauge 1000 Foot Spool VI-WH
0000015530	314026	XC-1P24-F-WH/BL-S1000	1 Pair 24 Gauge 1000 Foot Spool Type F BL-WH
3140157500	314015	XC-1P24-F-RD/WH-S1000	1 Pair 24 Gauge 1000 Foot Spool Type F RD-WH
3140147500	314014	XC-1P24-F-B/Y-S1000	1 Pair 24 Gauge 1000 Foot Spool Type F BL-YL
0000015532	019396	XC-1P24-OR/WH-S400	1 Pair 24 Gauge 400 Foot Spool Type H Tinned OR-WH
0000106048	314007	PT-JW224-H-OR/WH-S800	1 Pair 24 Gauge 800 Foot Spool Type H Tinned OR-WH
3140067500	314006	PT-XC-2P24-BL/WH-OR/WH-S1000	2 Pair 24 Gauge 1000 Foot Spool BL-WH OR-WH
3140177500	314017	XC-2P24-F-BL/RD-OR/RD-S1150	2 Pair 24 Gauge 1150 Foot Spool Type F BL-RD OR-RD
3140277500	314027	XC-2.5P24-BL/WH-OR/WH-GN-S1000	2.5 Pair 24 Gauge 1000 Foot Spool Tinned BL-WH OR-WH GN
3140127500	314012	PT-XC-3P24-BL/WH-OR/WH-GN/WH-S1000	3 Pair 24 Gauge 1000 Foot Spool BL-WH OR-WH GN-WH
3140227500	314022	XC-3P24-F-BL/WH-OR/WH-GN/WH-S660	3 Pair 24 Gauge 660 Foot Spool Type F BL-WH OR-WH GN-WH

# Jumper Wire



Jumper Wire

## Jumper Wire

Jumper wire consists of tinned solid copper conductors with PVC insulation. Single paired or multi-conductor configurations are available for use in distribution frame wiring. Jumper wire has a minimum 3 twists per foot. Tight twist jumper wire has a minimum 12 twists per foot.

### PREMIER

Item No.	EMBARQ Item No.	Mfg. Part No.	Description
3112297500	311229	PT-JW222-RD/WH-S500	2 Conductor 22 Gauge 500 Foot Spool RD/WH
3111237500	311123	PT-JW222-BK/WH-S1000	2 Conductor 22 Gauge 1000 Foot Spool BK/WH
0000125797		PT-JW222-WH-OR-S1000	2 Conductor 22 Gauge 1000 Foot Spool WH/OR
0000125798		PT-JW222-WH-RD-S1000	2 Conductor 22 Gauge 1000 Foot Spool WH/RD
0000032913	311033	PT-JW222-BK/WH-C3000	2 Conductor 22 Gauge 3000 Foot Coil BK/WH
0000015520	311035	PT-JW222-BL/WH-C3000	2 Conductor 22 Gauge 3000 Foot Coil BL/WH
3111117500	311111	PT-JW222-GN/WH-C3000	2 Conductor 22 Gauge 3000 Foot Coil GN/WH
3110077500	311007	PT-JW222-OR/WH-C3000	2 Conductor 22 Gauge 3000 Foot Coil OR/WH
0000032914	311015	PT-JW222-RD/WH-C3000	2 Conductor 22 Gauge 3000 Foot Coil RD/WH
0000112883		PT-JW222-O/BLU-C3000	2 Conductor 22 Gauge 3000 Foot Coil OR/BLU
0000098991		PT-JW222-VI/RD-S3500	2 Conductor 22 Gauge 3500 Foot Spool VI/RD
3112197500	311219	PT-JW222-BK/WH-S5000	2 Conductor 22 Gauge 5000 Foot Spool BK/WH
3112217500	311221	PT-JW222-RD/WH-S5000	2 Conductor 22 Gauge 5000 Foot Spool RD/WH
3111617500	311161	PT-JW422-WH/BL/RD/BK-S2300	4 Conductor 22 Gauge 2300 Foot Spool WH/BL/RD/BK
0000085301	061505	PT-JW1P22-RD/BL-S1000	1 Pair 22 Gauge 1000 Foot Spool Tight Twist RD/BL
0000084317	061502	PT-JW1P22-RD/BL-C3000	1 Pair 22 Gauge 3000 Foot Coil Tight Twist RD/BL
0000085300	061504	PT-JW2P22-RD/BL-OR/RD-S500	2 Pair 22 Gauge 500 Foot Spool Tight Twist RD/BL OR/RD
0000089145	065819	PT-JW2P22-RD/BL-OR/RD-S1000	2 Pair 22 Gauge 1000 Foot Spool Tight Twist RD/BL OR/RD
0000035794	311009	PT-JW2P22-BL/WH-RD/GN-C1500	2 Pair 22 Gauge 1500 Foot Coil BL/WH RD/GN
0000084318	061503	PT-JW2P22-RD/BL-OR/RD-C1500	2 Pair 22 Gauge 1500 Foot Coil Tight Twist RD/BL OR/RD
3120047500	312004	PT-JW224-BK/WH-S1000	2 Conductor 24 Gauge 1000 Foot Spool BK/WH
0000051881		PT-JW224-BL/WH-S1000	2 Conductor 24 Gauge 1000 Foot Spool BL/WH
3112427500	311242	PT-JW222-BL/WH-S1000	2 Conductor 22 Gauge 1000 Foot Spool BL/WH
0000015516	302048	PT-JW224-GN/WH-S1000	2 Conductor 24 Gauge 1000 Foot Spool GN/WH
0000015526	302045	PT-JW224-RD/BK-S1000	2 Conductor 24 Gauge 1000 Foot Spool RD/BK
3120597500	312059	PT-JW224-RD/WH-S1000	2 Conductor 24 Gauge 1000 Foot Spool RD/WH
0000015522	530556	PT-JW224-BL/WH-C5000	2 Conductor 24 Gauge 5000 Foot Coil BL/WH
3120637500	312063	PT-JW224-BL/YL-C5000	2 Conductor 24 Gauge 5000 Foot Coil BL/YL
3120027500	312002	PT-JW224-BK/WH-S6000	2 Conductor 24 Gauge 6000 Foot Spool BK/WH
3120567500	312056	PT-JW224-RD/WH-S6000	2 Conductor 24 Gauge 6000 Foot Spool RD/WH
3120577500	312057	PT-JW324-RD/WH/BK-S4000	3 Conductor 24 Gauge 4000 Foot Spool RD/BK/WH
3120587500	312058	PT-JW424-RD/WH/GN/BK-S3300	4 Conductor 24 Gauge 3300 Foot Spool RD/WH/GN/BK
0000049311	312026	PT-JW524-BL/OR/GN/BR/SL-C1000	5 Conductor 24 Gauge 1000 Foot Coil BL/OR/GN/BR/SL-B-O-BR-SL-G
3120097500	312009	PT-JW2P24-RD/WH-GN/BK-S3300	2 Pair 24 Gauge 3300 Foot Spool RD/WH GN/BK



## Station Wire

### Station Wire

Station wire is constructed with a tough PVC jacket for indoor/outdoor applications that provides additional protection when exposed to outside weather conditions. Station wire is made from 22 or 24 gauge solid bare copper conductors that are individually insulated with semi-rigid PVC. Station wire is available in Category 3 or Category 5e.

#### PREMIER

Item No.	EMBARQ Item No.	Mfg. Part No.	Description
2010827500	201082	SW-C3X-2P22BG-P1000	2 Pair 22 Gauge CMX Category 3 1000 Foot Pop Box Beige
2010837500	201083	SW-C3X-3P22BG-P1000	3 Pair 22 Gauge CMX Category 3 1000 Foot Pop Box Beige
3043867500	304386	SW-C3X-2P24BG-P1000	2 Pair 24 Gauge CMX Category 3 1000 Foot Pop Box Beige
3043877500	304387	SW-C3X-3P24BG-P1000	3 Pair 24 Gauge CMX Category 3 1000 Foot Pop Box Beige
3043887500	304388	SW-C3X-4P24BG-P1000	4 Pair 24 Gauge CMX Category 3 1000 Foot Pop Box Beige
0000014266	201137	C5E100X-004GY24PM	4 Pair 24 Gauge CMX Category 5e 1000 Foot Pop Box Gray
0000185515	083460	C5E100X-004BG24PM	4 Pair 24 Gauge CMX Category 5e 1000 Foot Pop Box Beige

## Switchboard Cable



Switchboard Cable (Shielded)

### Switchboard Cable

Switchboard cable is riser rated and has tinned copper conductors. It is used for central office cabling in telecommunication rooms and equipment rooms. Especially suitable for solderless wrap and quick clip type terminals, it is used for interconnection of distribution frames and digital switching and transmission equipment in central office exchanges or premise telephone equipment rooms. It is available in shielded or unshielded constructions.

#### PREMIER

Item No.	EMBARQ Item No.	Mfg. Part No.	Description
0252454907	025245	PT-SWBD-OS-025GY24 5000	Overall Shield 25 Pair 24 Gauge, Gray, Cut to Length from 5000 Master Reel
5127144907	512714	PT-SWBD-OS-032GY24 5000	Overall Shield 32 Pair 24 Gauge, Gray, Cut to Length from 5000 Master Reel
5333654907	533365	PT-SWBD-OS-100GY24 1000	Overall Shield 100 Pair 24 Gauge, Gray, Cut to Length from 1000 Master Reel
2022414907	202241	PT-SWBD-004GY24 1500	Unshielded 4 Pair 24 Gauge, Gray, Cut to Length from 1500 Master Reel
2022014907	202201	PT-SWBD-006GY24 1500	Unshielded 6 Pair 24 Gauge, Gray, Cut to Length from 1500 Master Reel
2020034907	202003	PT-SWBD-EI-25GY24 1000	Unshielded 25 Pair 24 Gauge, Gray, Extra Insulation Cut to Length from 1000 Master Reel
5127094907	512709	PT-SWBD-025GY24 5000	Unshielded 25 Pair 24 Gauge, Gray, Cut to Length from 5000 Master Reel
5127084907	512708	PT-SWBD-100GY24 2500	Unshielded 100 Pair 24 Gauge, Gray, Cut to Length from 2500 Master Reel

# T-1 Cable



T-1 Cable

## T-1 Cable

T-1 cable is riser rated tinned copper used for interconnecting digital (DS1) equipment to digital cross connect (DSX) equipment. The 1 pair, 2 pair, 4 pair, and 8 pair cables consist of individually shielded pairs with a 90% braid shield. The 600C-series 22 gauge cables consist of a dual overall aluminum foil shield with a 22 gauge solid tinned copper drain wire between the two shields. The 600B-series 22 gauge Category 3 ABAM cables have a single overall corrugated aluminum shield bonded to the PVC outer jacket and are suitable for vertical riser applications. The 1161A-series 24 gauge cables consist of an overall aluminum foil shield with a 24 gauge solid tinned copper drain wire. The 1249C-series 26 gauge cables consist of a dual aluminum foil shield with a dual jacket. The 24 gauge solid tinned copper drain wire is placed between the two shields.

### PREMIER

Item No.	EMBARQ Item No.	Mfg. Part No.	Description
0000106047		2117037	1 Pair 22 Gauge, Orange, 500 Foot Reel
0000090068	202101	7056898	1 Pair 22 Gauge, Gray, 500 Foot Reel
0000090067	202102	7056880	2 Pair 22 Gauge, Gray, 500 Foot Reel
0000090069		7056922	4 Pair 22 Gauge, Gray, 500 Foot Reel
5137474907	513747	PT-T1-006GY22 3000	6 Pair 22 Gauge 606C, Gray, Cut to Length from 3000 Foot Master Reel
5137484907	513748	PT-T1-012GY22 3000	12 Pair 22 Gauge 607C, Gray, Cut to Length from 3000 Foot Master Reel
5137504907	513750	PT-T1-025GY22 3000	25 Pair 22 Gauge 609C, Gray, Cut to Length from 3000 Foot Master Reel
5137514907	513751	PT-T1-030GY22 3000	30 Pair 22 Gauge 613C, Gray, Cut to Length from 3000 Foot Master Reel
0000071562		PT-T1-012GY24 R7000	12 Pair 24 Gauge 1161A, Gray, 7000 Foot Reel
5475287501	547528	PT-T1-025GY24 R1000	25 Pair 24 Gauge 1161A, Gray, 1000 Foot Reel
0339487501	033948	PT-T1-028GY24 1000	28 Pair 24 Gauge 1161A, Gray, 1000 Foot Reel
0339474907	033947	PT-T1-032GY24 1000	32 Pair 24 Gauge 1161A, Gray, Cut to Length from 1000 Foot Master Reel

# Connectorized Cable

## Connectorized Cables (25 pair) Non-Plenum



25 Pair Connectorized Cables



Prewired 25 pair connectorized cables are used to rapidly complete telephone installations or to rearrange key telephone stations. The connectors are standard 50-pin male or female telephony connectors with a removable dust cover to protect the gold plated contacts from damage or oxidation. The insulated conductors are color-coded with the standard telephone colors and are twisted into pairs with varying lay lengths to minimize crosstalk. The cable is riser rated and is available in gray or beige Level 1 or Category 3. Each cable comes with separately packaged accessories, including two alternate screw lengths and one u-shaped, spring retainer clip per connector.

- FCC part 68 compliant

### PREMIER

Item No.	EMBARQ Item No.	Mfg. Part No.	Connector	Length (Ft)	Hood (Degree)	Cable Type	Color	Cable Entry
2060987501	206098	PT-C25C5G-L3	F/F	5	90	Category 3	Gray	Standard
2066697501	206669	PT-C25C10G-L3	F/F	10	90	Category 3	Gray	Standard
2066717501	206671	PT-C25C15G-L3	F/F	15	90	Category 3	Gray	Standard
2060907501	206090	PT-C25C20G-L3	F/F	20	90	Category 3	Gray	Standard
2066727501	206672	PT-C25C30G-L3	F/F	30	90	Category 3	Gray	Standard
2066897501	206689	PT-C25C50G-L3	F/F	50	90	Category 3	Gray	Standard
2060607501	206060	PT-C25C80G-L3	F/F	80	90	Category 3	Gray	Standard
2066757501	206675	PT-C25C100G-L3	F/F	100	90	Category 3	Gray	Standard
2066587501	206658	PT-C25C150B	F/F	150	90	Level 1	Beige	Standard
2066787501	206678	PT-C25C200G-L3	F/F	200	90	Category 3	Gray	Standard
2060707501	206070	PT-C25P1G-L3	F/M	1	90	Category 3	Gray	Standard
2066827501	206682	PT-C25P2G-L3	F/M	2	90	Category 3	Gray	Standard
2066837501	206683	PT-C25P5G-L3	F/M	5	90	Category 3	Gray	Standard
5460107501	546010	PT-C25P6.5G-L3	F/M	6.5	90	Category 3	Gray	Standard
2060347501	206034	PT-C25P10G-L3	F/M	10	90	Category 3	Gray	Standard
2060017501	206001	PT-C25P10B	F/M	10	90	Level 1	Beige	Standard
2062947501	206294	PT-C25P15G-L3	F/M	15	90	Category 3	Gray	Standard
2060847501	206084	PT-C25P20G-L3	F/M	20	90	Category 3	Gray	Standard
2060327501	206032	PT-C25P25G-L3	F/M	25	90	Category 3	Gray	Standard
2066857501	206685	PT-C25P30G-L3	F/M	30	90	Category 3	Gray	Standard
0000059638		PT-C25P50G-L3	F/M	50	90	Category 3	Gray	Standard
2066867501	206686	PT-C25P60G-L3	F/M	60	90	Category 3	Gray	Standard
2066877501	206687	PT-C25P100G-L3	F/M	100	90	Category 3	Gray	Standard
2060887501	206088	PT-C25P200G-L3	F/M	200	90	Category 3	Gray	Standard
0000062091		PT-C25X5G-L3	F/X	5	90	Category 3	Gray	Standard
2062837501	206283	PT-C25X10G-L3	F/X	10	90	Category 3	Gray	Standard
2062497501	206249	PT-C25X10G	F/X	10	90	Level 1	Gray	Standard
2062847501	206284	PT-C25X15G-L3	F/X	15	90	Category 3	Gray	Standard
2060087501	206008	PT-C25X15G	F/X	15	90	Level 1	Gray	Standard
2062857501	206285	PT-C25X25G-L3	F/X	25	90	Category 3	Gray	Standard

Continued on next page.



# Connectorized Cable

## Connectorized Cables (25 pair) Non-Plenum (continued)

### PREMIER

Item No.	EMBARQ Item No.	Mfg. Part No.	Connector	Length (Ft)	Hood (Degree)	Cable Type	Color	Cable Entry
2064537501	206453	PT-C25X25G	F/X	25	90	Level 1	Gray	Standard
2061007501	206100	PT-C25X30G-L3	F/X	30	90	Category 3	Gray	Standard
2060077501	206007	PT-C25X30G	F/X	30	90	Level 1	Gray	Standard
2062867501	206286	PT-C25X50G-L3	F/X	50	90	Category 3	Gray	Standard
2060037501	206003	PT-C25X50G	F/X	50	90	Level 1	Gray	Standard
2062877501	206287	PT-C25X75G-L3	F/X	75	90	Category 3	Gray	Standard
2064547501	206454	PT-C25X75G	F/X	75	90	Level 1	Gray	Standard
2062887501	206288	PT-C25X100G-L3	F/X	100	90	Category 3	Gray	Standard
2065437501	206543	PT-C25X100G	F/X	100	90	Level 1	Gray	Standard
2066777501	206677	PT-C25X150G-L3	F/X	150	90	Category 3	Gray	Standard
2065447501	206544	PT-C25X150G	F/X	150	90	Level 1	Gray	Standard
2066797501	206679	PT-C25X200G-L3	F/X	200	90	Category 3	Gray	Standard
2065737501	206573	PT-C25X200G	F/X	200	90	Level 1	Gray	Standard
2060877501	206087	PT-C25X300G-L3	F/X	300	90	Category 3	Gray	Standard
0000089196		PT-P25P5G-L3	M/M	5	90	Category 3	Gray	Standard
2060357501	206035	PT-P25P10G-L3	M/M	10	90	Category 3	Gray	Standard
2066917501	206691	PT-P25P15G-L3	M/M	15	90	Category 3	Gray	Standard
2060337501	206033	PT-P25P25G-L3	M/M	25	90	Category 3	Gray	Standard
2061417501	206141	PT-P25P30G-L3	M/M	30	90	Category 3	Gray	Standard
0000035031		PT-P25P50G-L3	M/M	50	90	Category 3	Gray	Standard
0000034858		PT-P25P100G-L3	M/M	100	90	Level 1	Gray	Standard
0000062095		PT-P25X5G-L3	M/X	5	90	Category 3	Gray	Standard
2062767501	206276	PT-P25X10G-L3	M/X	10	90	Category 3	Gray	Standard
2066017501	206601	PT-P25X10G	M/X	10	90	Level 1	Gray	Standard
2062777501	206277	PT-P25X15G-L3	M/X	15	90	Category 3	Gray	Standard
2060097501	206009	PT-P25X15G	M/X	15	90	Level 1	Gray	Standard
2060957501	206095	PT-P25X25G-180	M/X	25	180	Level 1	Gray	Standard
2062787501	206278	PT-P25X25G-L3	M/X	25	90	Category 3	Gray	Standard
2060117501	206011	PT-P25X25G	M/X	25	90	Level 1	Gray	Standard
2061027501	206102	PT-P25X30G-L3	M/X	30	90	Category 3	Gray	Standard
2060177501	206017	PT-P25X30G	M/X	30	90	Level 1	Gray	Standard
0000062094		PT-P25X40G-L3	M/X	40	90	Category 3	Gray	Standard
2060897501	206089	PT-P25X50G-180	M/X	50	180	Level 1	Gray	Standard
2062797501	206279	PT-P25X50G-L3	M/X	50	90	Category 3	Gray	Standard
2060067501	206006	PT-P25X50G	M/X	50	90	Level 1	Gray	Standard
2062817501	206281	PT-P25X75G-L3	M/X	75	90	Category 3	Gray	Standard
0000035020	516003	512550-PT-P25X75G	M/X	75	90	Level 1	Gray	Standard
2060127501	206012	PT-P25X100G	M/X	100	90	Level 1	Gray	Standard
2062827501	206282	PT-P25X100G-L3	M/X	100	90	Category 3	Gray	Standard
2061967501	206196	PT-P25X150B	M/X	150	90	Level 1	Beige	Standard
0000062093		PT-P25X200G-L3	M/X	200	90	Category 3	Gray	Standard



# Ground Wire



Ground Wire

## Ground Wire

Ground wire available in soft drawn solid copper single conductor or stranded conductor. Solid conductor is available in a variety of gauges, with and without insulation in a variety of colors.

### PREMIER

Item No.	EMBARQ Item No.	Mfg. Part No.	Conductor	Wire Gauge (AWG)	Insulation	Packaging	Length (Ft)
3500347500	350034	PT-GW2-BARE-R125	Solid	2	Bare	Reel	125
3500267500	350026	PT-GW4-BARE-R200	Solid	4	Bare	Reel	200
3500167500	350016	PT-GW6-BARE-R315	Solid	6	Bare	Reel	315
3500067500	350006	PT-GW6-BARE-R500	Solid	6	Bare	Reel	500
3500627500	350062	PT-GW6-BGE-R500	Solid	6	PVC Beige	Reel	500
3500177500	350017	PT-GW6-BLK-C200	Solid	6	PVC Black	Coil	200
0000151615		PT-GW6-BLK-R200	Solid	6	PVC Black	Reel	200
3500617500	350061	PT-GW6-BLK-R500	Solid	6	PVC Black	Reel	500
3500087500	350008	PT-GW6-110-BLK-R500	Solid	6	110mil PE Black	Reel	500
3500027500	350002	PT-GW6-GRY-C600	Solid	6	PVC Gray	Coil	600
0000051906	440141	PT-GW6-GREEN-C50FT	Solid	6	PVC Green	Coil	50
3500007500	350000	PT-GW6-GREEN-R500	Solid	6	PVC Green	Reel	500
3500287500	350028	PT-GW10-BGE-R300	Solid	10	PVC Beige	Reel	300
3501027500	350102	PT-GW10-BGE-K500	Solid	10	PVC Beige	Knockout Box	500
3501017500	350101	PT-GW10-BLK-K500	Solid	10	PVC Black	Knockout Box	500
3500017500	350001	PT-GW12-BLK-R500	Solid	12	PVC Black	Reel	500
3501037500	350103	PT-GW12-GRY-K500	Solid	12	PVC Olive Gray	Knockout Box	500
3501437500	350143	PT-GW14-BGE-K500	Solid	14	PVC Beige	Knockout Box	500
3501427500	350142	PT-GW14-BLK-K500	Solid	14	PVC Black	Knockout Box	500

# Power Wire

## Power Wire

Low Smoke Zero Halogen (LSZH) power wire is used for low voltage telecommunications applications. LSZH cables are listed by UL as type RHH/RHW/USE for general purpose applications and can be installed in duct, conduit, raceway, underground or aerial applications. LSZH cables are rated for a maximum continuous conductor temperature of 90° Celsius in dry locations and 75° Celsius in wet locations and for installation in circuits not exceeding 600 volts. The low-smoke properties of the insulation/jacket compound make this product ideally suited for applications where limited smoke cables are required.

- 6 AWG through 750 kcmil coated tinned copper conductor available in I or B strand
- Multiple colors and gauges available
- Complies with Telecordia GR-347-CORE

### PREMIER

Item No.	EMBARQ Item No.	Mfg. Part No.	Description
0000073744	065612	PWR-B-14-BK-LSZH	14-Gauge Class B Stranded Black
0000073746	065610	PWR-B-14-GY-LSZH	14-Gauge Class B Stranded Gray
0000073745	065611	PWR-B-14-GRN-LSZH	14-Gauge Class B Stranded Green
0000073790	065609	PWR-B-14-RD-LSZH	14-Gauge Class B Stranded Red
0000079936	065613	PWR-B-6-BK-LSZH	6-Gauge Class B Stranded Black
0000073753	065608	PWR-B-6-GY-LSZH	6-Gauge Class B Stranded Gray
0000073752	064977	PWR-B-6-GRN-LSZH	6-Gauge Class B Stranded Green
0000102133	067516	PWR-B-6-RD-LSZH	6-Gauge Class B Stranded Red
0000102127	067514	PWR-B-4-BK-LSZH	4-Gauge Class B Stranded Black
0000073751	065614	PWR-B-4-GY-LSZH	4-Gauge Class B Stranded Gray
0000102128	067515	PWR-B-4-GRN-LSZH	4-Gauge Class B Stranded Green
0000102129	067513	PWR-B-4-RD-LSZH	4-Gauge Class B Stranded Red
0000102122	067518	PWR-B-2-BK-LSZH	2-Gauge Class B Stranded Black
0000073749	065615	PWR-B-2-GY-LSZH	2-Gauge Class B Stranded Gray
0000102123	067519	PWR-B-2-GRN-LSZH	2-Gauge Class B Stranded Green
0000102124	067517	PWR-B-2-RD-LSZH	2-Gauge Class B Stranded Red
0000102120	067521	PWR-B-1/0-BK-LSZH	1/0-Gauge Class B Stranded Black
0000073743	065616	PWR-B-1-0-GY-LSZH	1/0-Gauge Class B Stranded Gray
0000079953	065617	PWR-B-1-0-GRN-LSZH	1/0-Gauge Class B Stranded Green
0000073748	065618	PWR-B-2-0-GY-LSZH	2/0-Gauge Class B Stranded Gray
0000073747	065619	PWR-B-2-0-GRN-LSZH	2/0-Gauge Class B Stranded Green
0000073750	065620	PWR-B-4-0-GY-LSZH	4/0-Gauge Class B Stranded Gray
0000102131	067526	PWR-B-4/0-GRN-LSZH	4/0-Gauge Class B Stranded Green
0000073756	065621	PWR-I-4-0-BK-LSZH	4/0-Gauge Class I Flexible Stranded Black
0000073755	065623	PWR-I-350-GY-LSZH	350-MCM Class I Flexible Stranded Gray
0000073757	065624	PWR-I-500-GY-LSZH	500-MCM Class I Flexible Stranded Gray
0000073758	065625	PWR-I-750-GY-LSZH	750-MCM Class I Flexible Stranded Gray
0000128114		PWR-I-750-BLU-LSZH	750-MCM Class I Flexible Stranded Blue
0000128115		PWR-I-750-RD-LSZH	750-MCM Class I Flexible Stranded Red



# Guy Strand



## Galvanized Strand

Galvanized strand is built and tested to ASTM A603-70 and ASTM A475-78. It is available in utility grade and in extra high strength, and with either A or C levels of corrosion protection.

### PREMIER

Item No.	EMBARQ Item No.	Mfg. Part No.	Strength	Corrosion Level	Size (In)	Code	Reel (Ft)
1311337500	131133	1/4 EHS A R2500	EHS	A	1/4	6.6M	2,500
1311017500	131101	1/4 EHS A R5000	EHS	A	1/4	6.6M	5,000
1311217500	131121	5/16 IN EHS A R5000	EHS	A	5/16	10M	5,000
1310087500	131008	1/4 EHS C6.6M	EHS	C	1/4	6.6M	5,000
0000069997	131009	5-16EHSC5000R	EHS	C	5/16	10M	5,000
1311027500	131102	5/16 UTIL A 6M	Utility	A	5/16	6M	5,000
1311037500	131103	3/8 UTIL A 10M	Utility	A	3/8	10M	5,000
7214977500	721497	7/16 IN UTIL A 16M	Utility	A	7/16	16M	2,500
1311047500	131104	7/16 UTIL A 16M	Utility	A	7/16	16M	5,000
1311137500	131113	3/8 UTIL C10M	Utility	C	3/8	10M	5,000
7220257500	722025	7/16 UTIL C 16M	Utility	C	7/16	16M	2,500

# Lashing Wire



## Lashing Wire

Lashing wire is used to hold electrical and mechanical cables together on overhead telephone lines and other uses such as cable TV applications. Type 430 and 302 are stainless steel alloy. Type 430 is most common. Type 302 is used where more corrosion resistance is required.

### PREMIER

Item No.	EMBARQ Item No.	Mfg. Part No.	Description
3804537500	380453	PT-LW-302-045C1200SH	Type 302 .045 Stainless Steel 1200-Foot Coil Straight Hub
3804517500	380451	PT-LW-430-045C1200SH	Type 430 .045 Stainless Steel 1200-Foot Coil Straight Hub
3804527500	380452	PT-LW-430-045C1200TH	Type 430 .045 Stainless Steel 1200-Foot Coil Tapered Hub

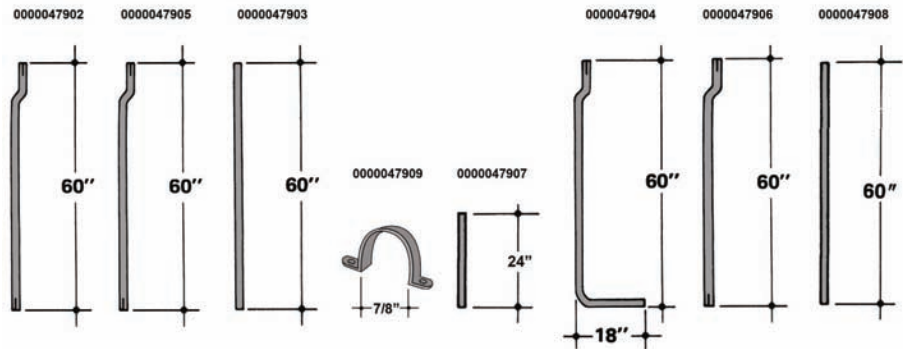


# House Risers



## House Risers

- RUS approved
- Lightweight gray PVC
- Clamps included



### PREMIER

Item No.	EMBARQ Item No.	Mfg. Part No.	Description	Height (Feet)	Clamp Packaging	Product Packaging pcs/ctn	I.D. (Inches)	O.D. (Inches)
0000047902	064382	12-119/PRM	PREMIER Riser, 7/8" OD X 5' in Length with Offset End, Both Ends Notched	5	Bulk	30	0.73	0.84
0000047903	064380	12-119-1/PRM	PREMIER Riser, 7/8" OD x 5' in Length Straight Pipe	5	Bulk	30	0.73	0.84
0000047904	064381	12-119-2/PRM	PREMIER Riser, 7/8" OD x 5' in Length, with 18" L-bend, Opposite End is Notched & Offset	5	Bulk	60	0.73	0.84
0000047909	064384	14-44/PRM	PREMIER 7/8" Riser Clamp	N/A	Bulk	60		
0000047906	064386	12-219/PRM	PREMIER Riser, 1.25" OD x 5' In Length with Offset One End, Both Ends Notched	5	Bulk	15	1.14	1.25
0000047907	064387	12-222-2-IP/PRM	PREMIER U-Guard, 1.25" OD x 2' in Length, Straight Pipe	2	Bulk	30	1.14	1.25
0000047908	064385	12-222-5/PRM	PREMIER U-guard, 1.25" Od x 5' In Length, Straight Pipe	5	Bulk	30	1.14	1.25
7231997500	723199	HR-78-5-Offset	PREMIER Riser, 7/8" OD x 5' in Length, 7/8" Offset at One End, Straight at Other End With Notch on Both Ends	5	2 clamps attached to risers with tape	60	0.696	0.84
7231817500	723181	HR-78-5-Straight	PREMIER Riser, 7/8" OD x 5' in Length, Straight, without Notches	5	2 clamps attached to risers with tape	60	0.696	0.84
7231827500	723182	HR-78-5-L-Bend	PREMIER Riser, 7/8" OD x 5' in Length, with 7/8" Offset & Notch at One End and a 90° L-bend with 18" Long Leg without Notch at Other End	5	2 clamps attached to risers with tape	30	0.696	0.84
7233067500	723306	HR-78-CLAMP	Clamp to Fit 7/8" Premier Riser	N/A				
7235717500	723571	HR-125-CLAMP	Clamp to Fit 1 1/4" Premier Riser	N/A				
7236097500	723609	HR-125-5-LARGE	PREMIER Riser, 1 1/4" OD x 5' in Length, 7/8" Offset One End, with Notch at Both Ends	5	2 clamps attached to risers w/tape	60	1.106	1.25

