

Xtreme Digital Music System | XDM4600



XDM4600KIT shown with optional WG100C WG Series speakers



Music | Communication | Security

Xtreme elegance. Xtreme functionality. Xtreme Digital Music System from M&S.

The XDM4600 Xtreme Digital Music System is an expandable, integrated digital audio system. It offers 6 digital music sources and intercom functions to 4 zones (expandable to eight) and allows communication with visitors at the front door as well.

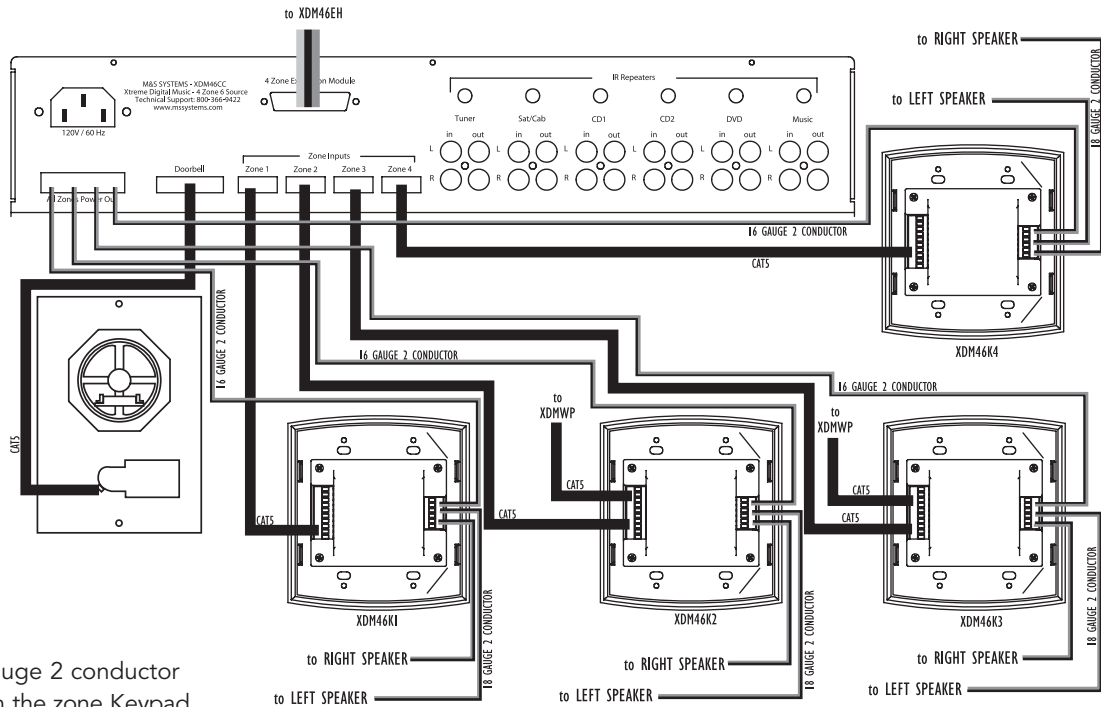
The four zones, the door station, and six audio sources connect to a single central controller (XDM46CC). The XDM46CC has six analog line inputs for sourcing music to the system, and communication between the central controller and the zones is digital. An infrared repeater built into the system allows the audio source equipment to be controlled from the zones with a universal remote.

Each zone contains a class D amplifier and other circuitry to drive one pair of 8-ohm speakers as well as the local audio source. The front door chime mutes any music and intercom function that is playing so the chime can be heard over the speakers in each zone. Each zone is powered from the central controller, requiring only one power cable to go from a house outlet to the system.



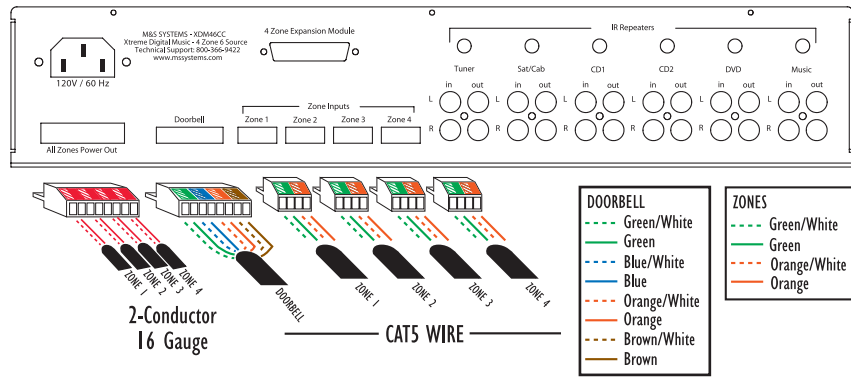
A Linear Home Technologies Brand

System Wiring Diagram



System Wiring

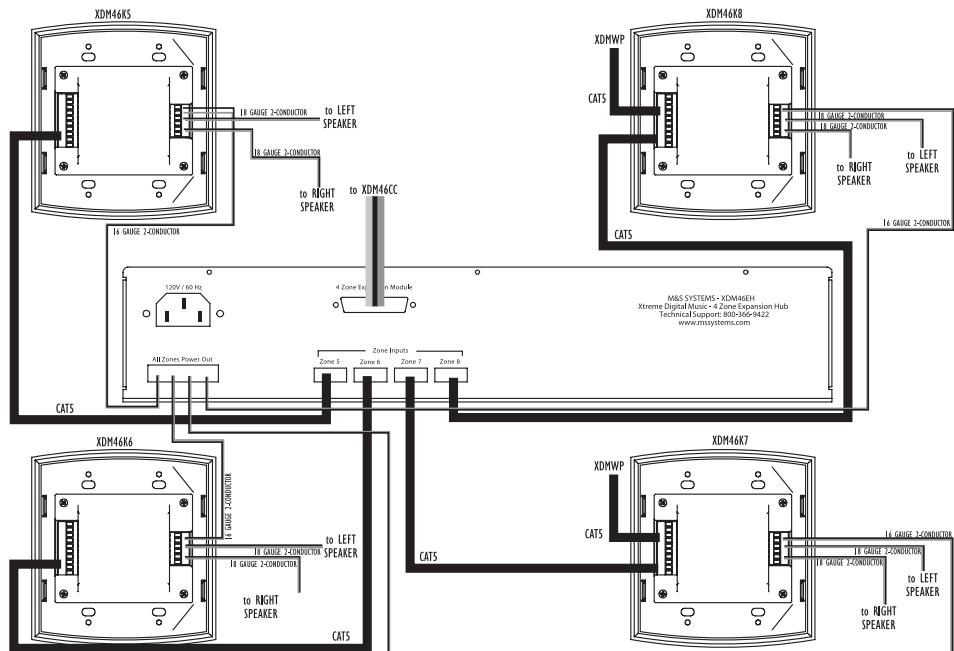
- Cat 5 and 16 gauge 2 conductor power wire from the zone Keypad (XDM46K) to the Central Controller (XDM46CC)
- Cat 5 from the front door station (DS3B2) to the XDM46CC
- Run speaker wire from the zone Keypad (XDM46K) to the pair of 8-ohm speakers in the zone



Expansion Hub Wiring Diagram

Expansion Hub

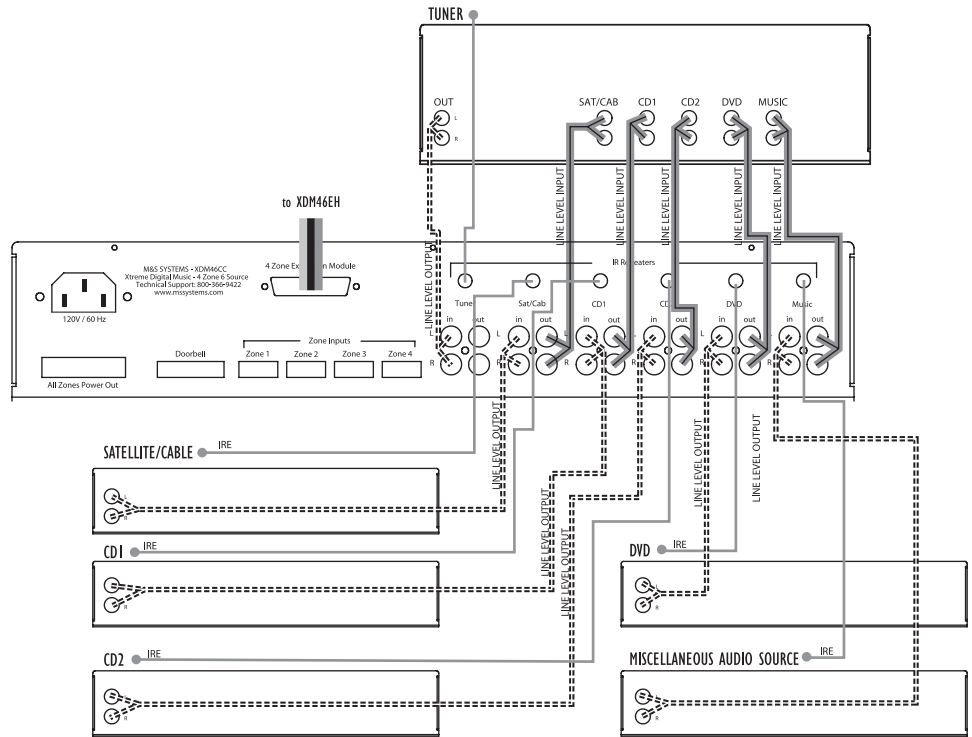
- To expand to 4 additional zones an Expansion Hub (XDM46EH) will be required
- An expansion connector cable is needed to bridge the communication between the Central Controller (XDM46CC) and the Expansion Hub (XDM46EH)
- Cat 5 wire plus 16 gauge 2 conductor power wire is run from the additional four zone keypads to the Expansion Hub



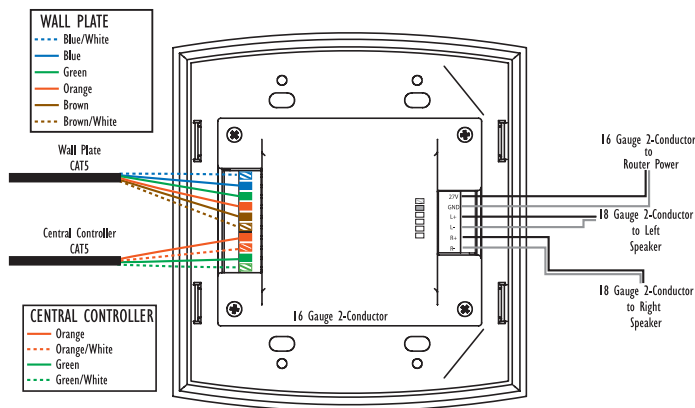
IR Emitter Wiring Diagram

IR Emitter

- IR commands are transferred from the XDM46CC to the source equipment via mini IR emitters
- Locate the source inputs on the back of the XDM46CC and connect the appropriate audio source cables

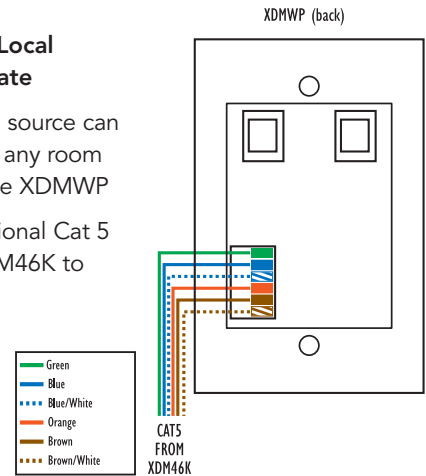


Keypad and Local Audio Wall Plate Wiring Diagram



Keypad and Local Audio Wall Plate

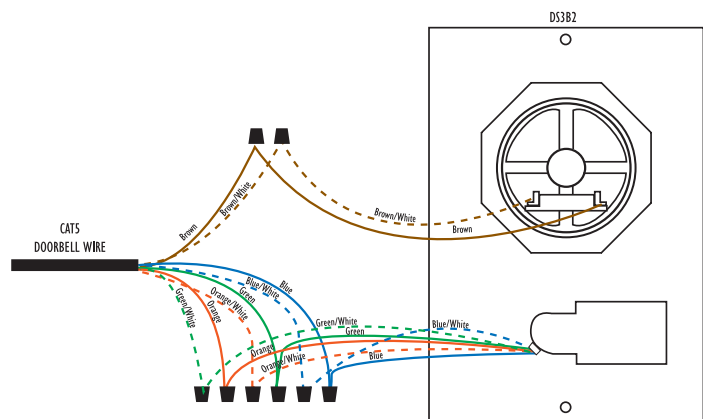
- A local audio source can be added to any room by adding the XDMWP
- Run an additional Cat 5 from the XDM46K to the XDMWP



Front Door Station Wiring Diagram

Front Door Station

- Cat 5 wire is run from the door bell (DS3B2) to the Central Controller (XDM46CC)
- An ME3 back box is required for the DS3B2



System Specifications

The XDM system kit includes: 1 Central Controller XDM46CC, 4 Keypads XDM46K, 1 Universal Remote XDM46R, 6 IR Emitters XDMIRE and 1 Door Station DS3B2.

- Frequency Response: 20hz – 20KHz, +/- 0.5db max
- Total Harmonic Distortion: .2% max
- Signal-to-Noise Ratio: 95db minimum, "A" weighted
- Power Supply 110 volts
- 60 Watts per Zone (30 Watts per channel, 8-ohm speakers only)
- Class D Amplifiers reside with each Keypad
- Fully Functional Keypad with IR Receiver
- 4 Zones, expandable to 8 Zones/6 Sources
- Room Station Privacy Feature



Universal Remote **XDM46R**



Keypad **XDM46K**



Central Controller **XDM46CC** is the brain of XDM, routing music from the sources you choose to the room where you want it heard.



Door Station **DS3B2**



Central Controller **XDM46CC** (back) provides a simple plug-and-play to connect the six audio sources.

Optional XDM Accessories

- XDMWP - Local Audio Wall Plate
- XDM46EH - Xtreme Digital Music Expansion Hub
- XDMIRE - IR Emitter Replacement Pack
- XDMCKIT - Replacement Connector Kit
- XDM46K - Xtreme Digital Music Keypad
- XDM46R - Xtreme Digital Music Universal Remote

WG Series Built-In Speakers

- WG100C - 6.5" Ceiling Speakers
- WG100W - 6.5" Wall Speakers
- WG150C - 8" Ceiling Speakers
- WG150W - 8" Wall Speakers



Distributed by:



800.421.1587
www.mssystem.com