

CLASS **782H**

HERMETICALLY SEALED RELAY

FEATURES

VACUUM BAKED & DRY NITROGEN FILLED

REMOVES CONTAMINANTS AND PROVIDES A CLEAN & DRY ATMOSPHERE FOR CONTACTS.

HERMETICALLY SEALED METAL ENCLOSURE

IDEAL FOR USE IN HAZARDOUS LOCATIONS. UL CERTIFIED FOR CLASS 1 DIVISION 2 GROUP A, B, C & D HAZARDS. WHEN RELAY IS USED WITH 70-461-1 SOCKET, THE HOLD-DOWN CLIP 16-1328 IS REQUIRED.

CHOICE OF CONTACT RATINGS 1 AMP, 3 AMPS AND 5 AMPS

PROVIDES FOR LOW LEVEL SWITCHING APPLICATIONS UP TO 5 AMPS POWER LOADS.

PLUG-IN STYLE OR SIDE MOUNTING STUD WITH ANTI-ROTATION TAB

WHEN USED WITH 70-461-1 SOCKET THE 782H CAN BE DIN RAIL MOUNTED OR PANEL MOUNTED. THE SIDE STUD PROVIDES FOR DIRECT MOUNT & SOLDERED WIRE APPLICATIONS.

BENEFITS

4PDT, 1, 3 & 5 AMPS

UL **us**
UL Recognized
File No. E209950

168986

UL LISTED 367G
IND. CONT. EQ.

WHEN USED WITH
SOCKET 70-461-1

CURRENT LIMITED TO
RATING OF RELAY OR
SOCKET WHICHEVER
IS LESS

CE

COMPLIES WITH REQUIREMENTS OF

* IEC STANDARDS 947-4-1 AND
947-5-1 LOW VOLTAGE DIRECTIVE

* IEC = INTERNATIONAL
ELECTROTECHNICAL COMMISSION

* CE TESTING AND EVALUATION
PERFORMED BY THE UNDERWRITERS
LABORATORIES AS A THIRD PARTY
PARTICIPANT

GENERAL SPECIFICATIONS

COIL

Pull-in Voltage: 75% of nominal voltage or less for DC coils,
80% of nominal voltage or less for AC coils
Dropout Voltage: DC-10%, AC-30% of nominal voltage or more
Max. Voltage: 110%
Resistance: ±15% measured @ 25°C
Coil Power: 0.9 watts DC. 1.2 VA (60Hz) AC @ 25°C
Insulation System: Class "B" (130°C per UL standard. 1446)
Max. Coil Dissipation: 2.0 watts DC, 2.5 VA (60Hz) AC. @ 25°C. 5 minutes maximum @ 25°C
Duty: Continuous

CONTACTS

Contact Material: See ordering code
Contact Rating: See ratings table

TIMING

Operate Time: 13 mS max @ nominal voltage
Release Time: 6 mS max @ nominal voltage

DIELECTRIC STRENGTH

Contacts to Coil: 1240 V rms
Across Open Contacts: 500 V rms
Contacts to Frame: 1240 V rms
Insulation Resistance: 100 megohms @ 500 VDC

TEMPERATURE

Operating: -45°C to +70°C
Storage: -60°C to +130°C

VIBRATION RESISTANCE

Functional: 10 to 55Hz; 6 g's (double amplitude)

SHOCK RESISTANCE

Functional: 10 g's (11mS)

LIFE EXPECTANCY

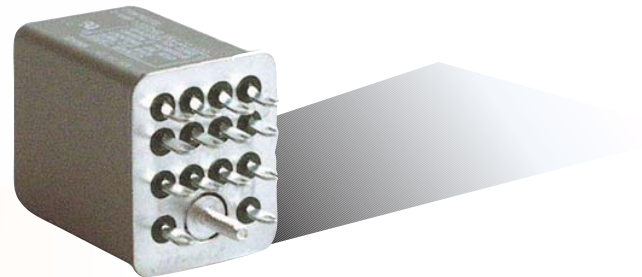
Electrical: 100,000 operations @ rated resistive load
Mechanical: 10,000,000 operations @ no load

MISCELLANEOUS

Operating Position: Any
Insulation Material: Molded plastic
Enclosure: Grey metal case, hermetically sealed
Weight: 45 grams approx.

**MANUFACTURED UNDER
ISO 9001**

**UL GROUPS A, B, C & D CERTIFIED
CLASS 1 DIVISION 2 FOR
HAZARDOUS LOCATIONS**

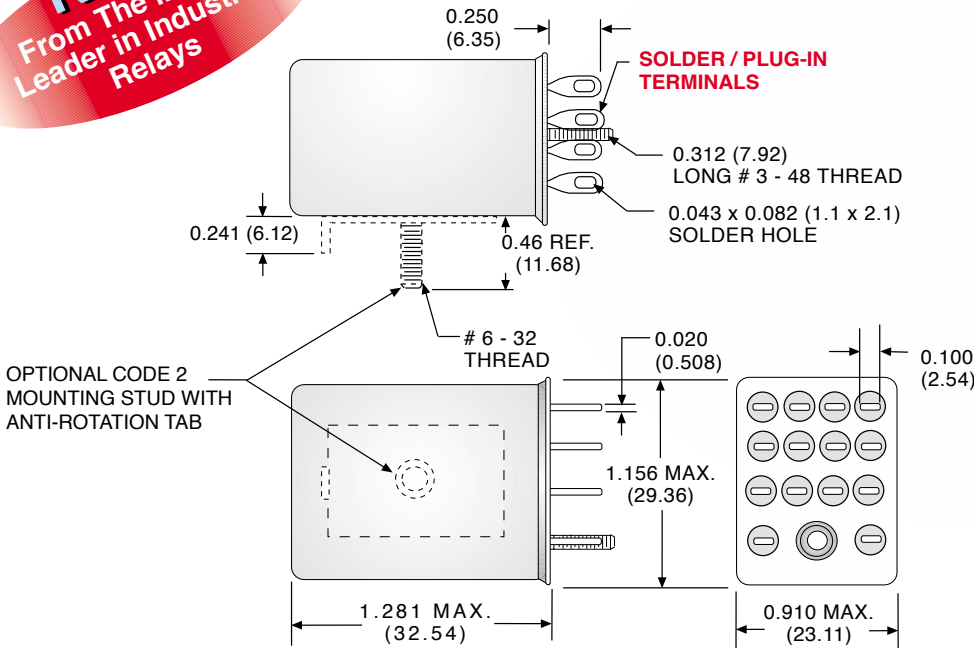


Mating Sockets
70-461-1: SCREW/DIN
70-378-1: SOLDER
70-379-1: PRINTED CIRCUIT
See section 8, page 14, 15

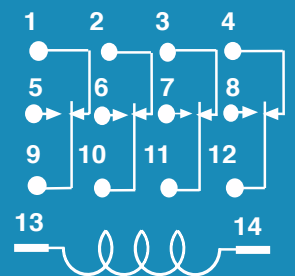


NEW
From The Market
Leader in Industrial
Relays

OUTLINE DIMENSIONS
DIMENSIONS SHOWN IN INCHES & (MILLIMETERS).



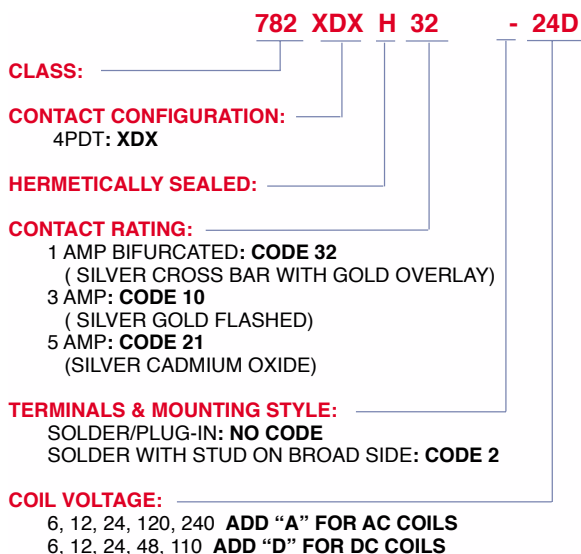
WIRING DIAGRAM
(VIEWED FROM PIN END)



UL CONTACT LOAD RATINGS TABLE

POLES	CURRENT OR HORSE POWER	LOAD VOLTAGE	LOAD VOLTAGE FREQUENCY	TYPE OF LOAD	MINIMUM LOAD
4 POLES	1 AMP	120/240	50/60 Hz	RESISTIVE	DRY CIRCUIT
	3 AMP	120/240	50/60 Hz	RESISTIVE	100 mA 12 VAC
	5 AMP	120/240	50/60 Hz	RESISTIVE	500 mA 12 VAC
	1 AMP	30	DC	RESISTIVE	DRY CIRCUIT
	3 AMP	30	DC	RESISTIVE	100 mA 12 VDC
	5 AMP	30	DC	RESISTIVE	500 mA 12 VDC

ORDERING CODE FOR RELAYS



STANDARD PART NUMBERS 4PDT	COIL MEASURED @ 25°C	
	NOMINAL INPUT VOLTAGE	NOMINAL RESISTANCE (OHMS)
AC OPERATED - SOLDER/PLUG-IN, 3 AMP		
782DXH10-24A	24 VAC, 50/60Hz	7160 Ω
782DXH10-120A	120 VAC, 50/60Hz	3,900 Ω
DC OPERATED - SOLDER/PLUG-IN, 3 AMP		
782DXH10-12D	12 VDC	160 Ω
782DXH10-24D	24 VDC	650 Ω
782DXH10-110D	110 VDC	11,000 Ω
AC OPERATED - SOLDER/PLUG-IN, 5 AMP		
782DXH21-120A	120 VAC, 50/60Hz	3,900 Ω
DC OPERATED - SOLDER/PLUG-IN, 5 AMP		
782DXH21-12D	12 VDC	160 Ω
782DXH21-24D	24 VDC	650 Ω

RETROFITS POTTER & BRUMFIELD KHS OR OMRON MY4H.
SEE END OF SECTION 1 FOR CROSS REFERENCE