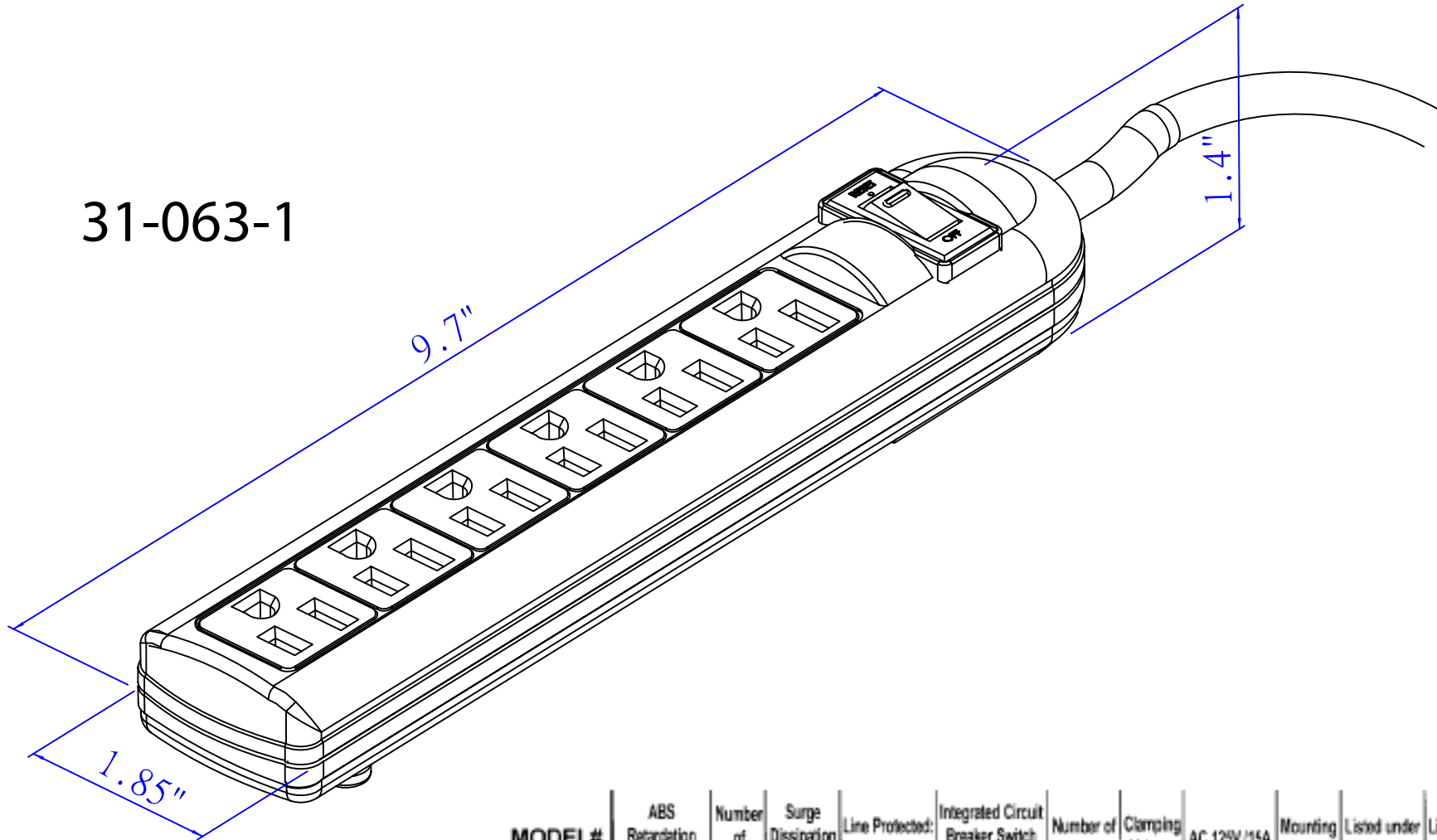
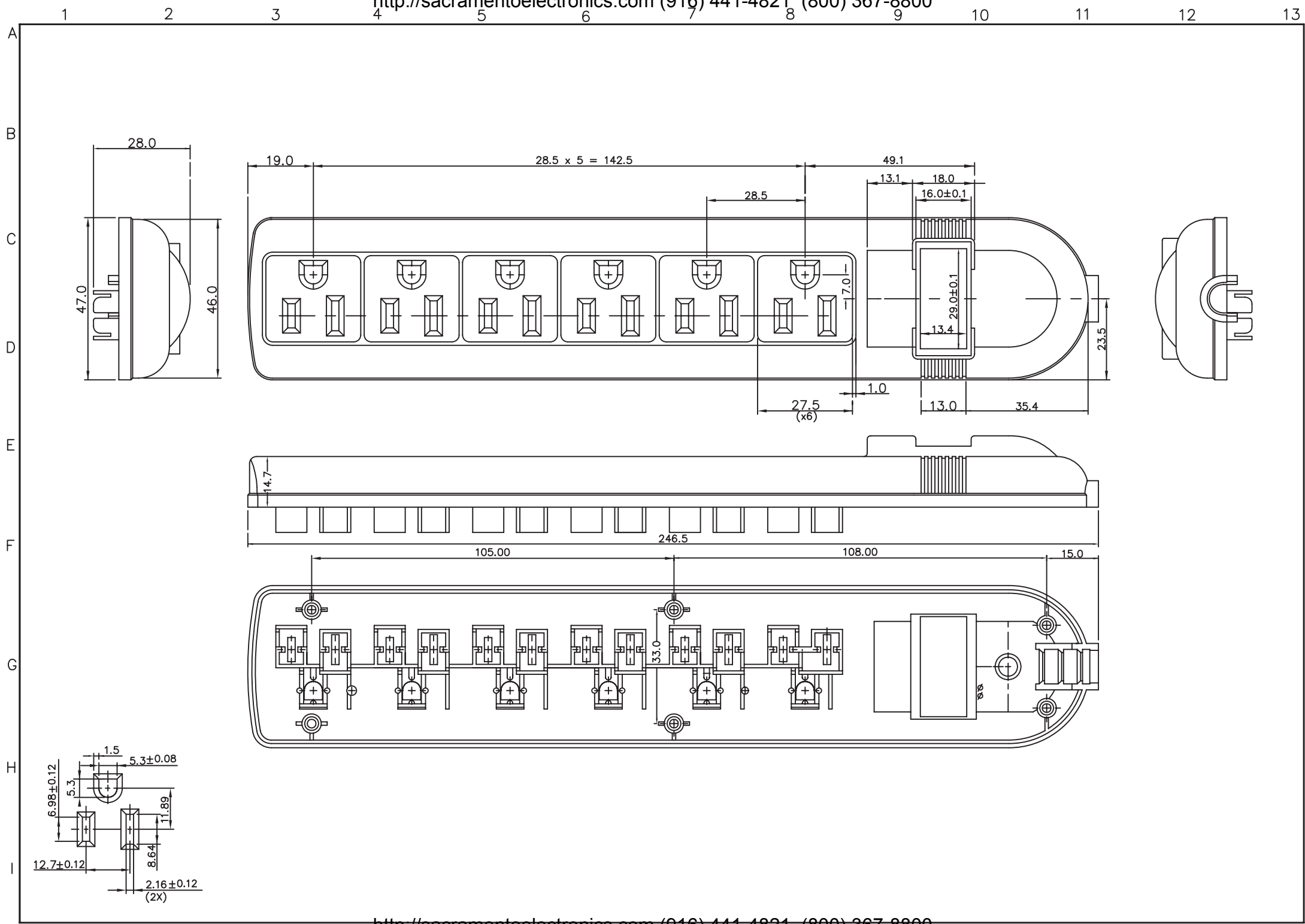
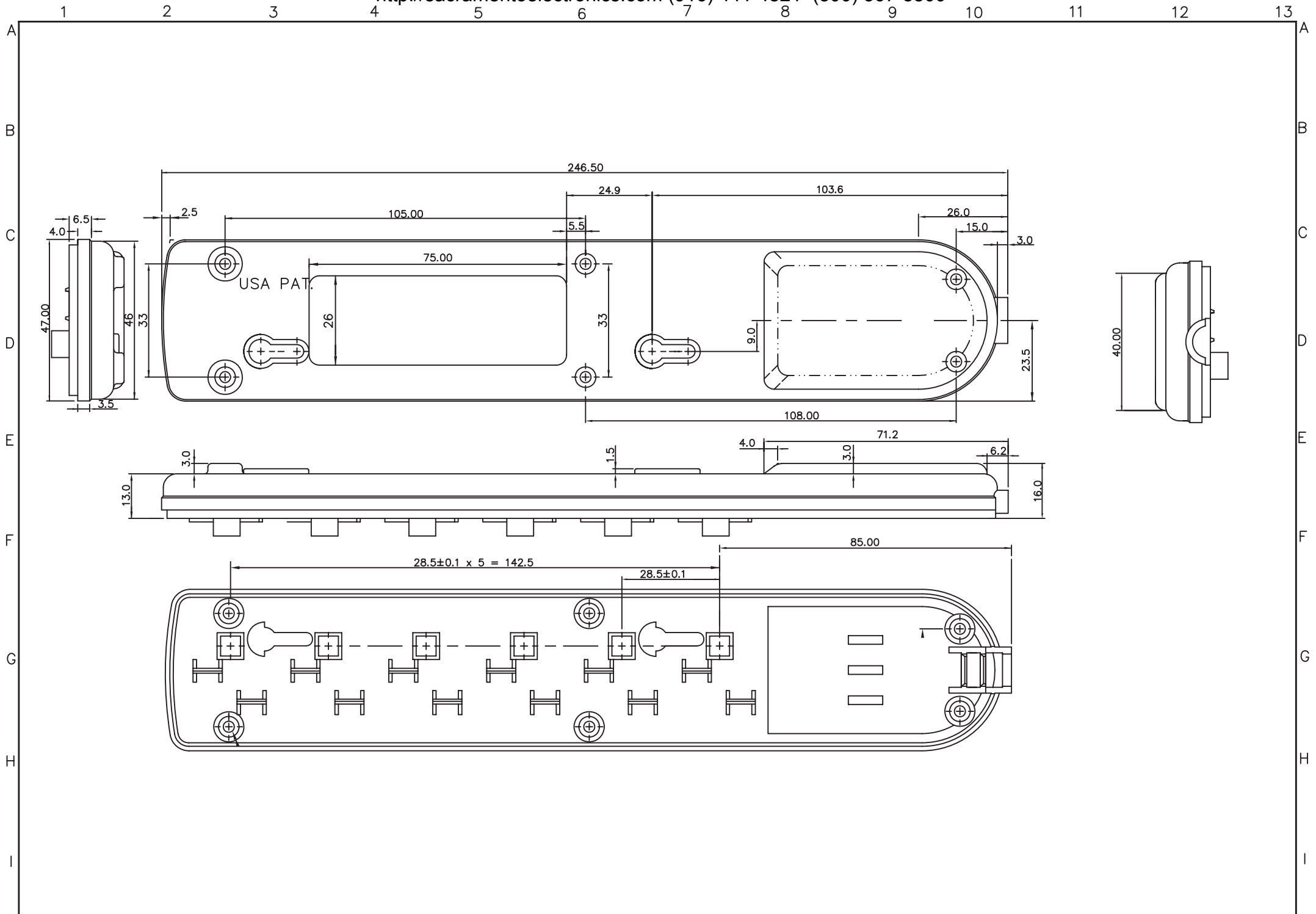


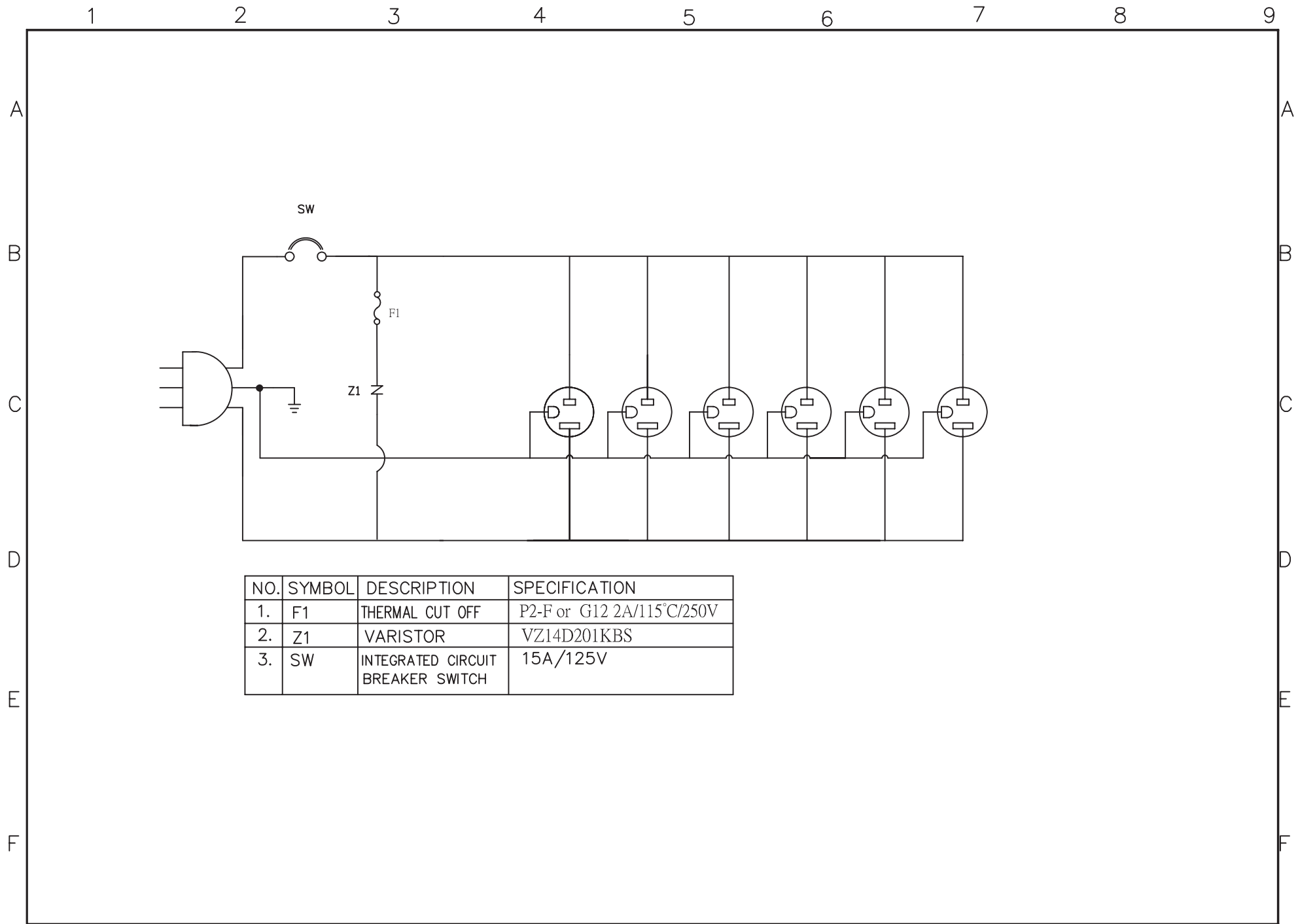
31-063-1



MODEL#	ABS Retardation Plastic Housing	Number of MOVs	Surge Dissipation (Joules)	Line Protected: H-N	Integrated Circuit Breaker Switch (2 in 1)	Number of AC Outlets	Clamping Voltage	AC 125V/15A	Mounting Bracket	Listed under UL 1363	Listed under UL 1449	CSA Listed
31-063-1	●	1	90	●	●	6	330V	●	●	●	●	●







NO.	SYMBOL	DESCRIPTION	SPECIFICATION
1.	F1	THERMAL CUT OFF	P2-F or G12 2A/115°C/250V
2.	Z1	VARISTOR	VZ14D201KBS
3.	SW	INTEGRATED CIRCUIT BREAKER SWITCH	15A/125V