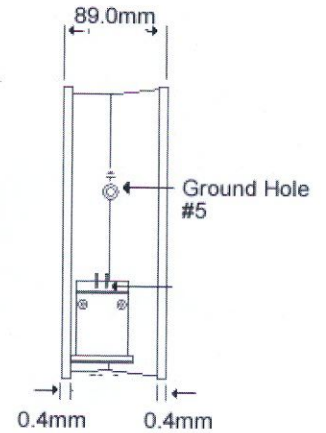
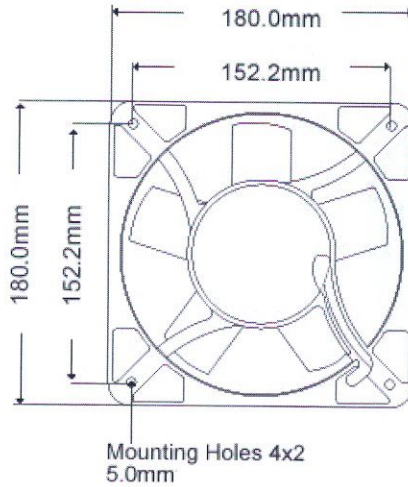


OA180AP Series



AC Fan - 115V, 230V
180 x 89mm (7.1" x 3.5")



Frame	Diecast Aluminum	<u>Operating Temperature</u> Ball Bearing -20C ~ +80C <u>Life Expectancy</u> Ball Bearing 60,000 hours (L10 at 40C) CSA Approved	
Impeller	PBT, UL94V-O plastic		
Connection	2x Lead Wires 20 AWG or terminals		
Motor	Capacitor drive, thermally protected		
Bearing System	Dual ball		
Insulation Resistance	>100M ohm between lead-wire and frame (500VDC)		
Dielectric Strength	1 min at 1500 VAC, 50/60Hz		

Part Number	OA180AP-11-1 *	OA180AP-22-1 *
Nominal AC Voltage	115 (50/60 Hz)	230 (50/60 Hz)
Voltage Range	60 ~ 130 VAC	120 ~ 260 VAC
Rated Power (50/60 Hz)	60 / 70 W	60 / 70 W
RPM (50/60 Hz)	2750 / 3200	2750 / 3200
Airflow - CFM (50/60 Hz)	360 / 420	360 / 420
Noise Level - dB (50/60 Hz)	60 / 62	60 / 62
Max. Static Pressure	0.71 / 1.1 "H ₂ O (50/60 Hz)	0.71 / 1.1 "H ₂ O (50/60 Hz)

* Indicate "TB" for terminal or "WB" for wire leads