

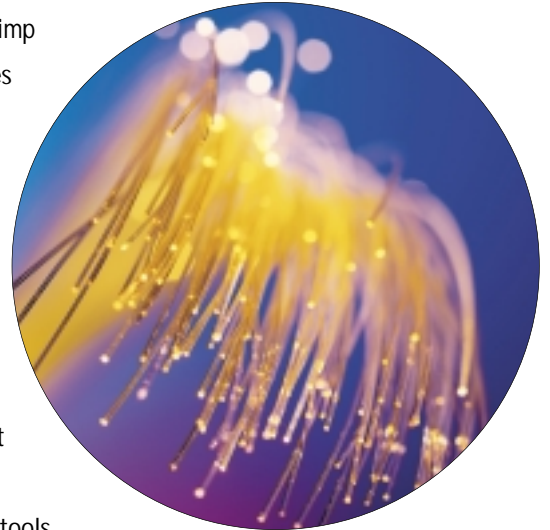
Fiber Optic Cable



Fiber optic cabling is being installed everywhere. Because it can handle high data rates over longer distances, it is fast becoming the cable of choice. Paladin Tools makes the crimp tools with the interchangeable dies for common SC, SMA, SMB, FC and ST style connectors.

We have the following fiber optic products:

- Kevlar cutters
- Adjustable jacket stripper
- Datacomm scissor and knife kit
- Round cable slitters
- Ergonomically-designed crimp tools
keep the hand work easy with
interchangeable crimp tool dies



Smart installers know to look for Paladin Tools because we always deliver value.



Ceramic-Blade Kevlar Cutter

Good on thick strands! Ergonomic scissors for cutting protective Kevlar strands in fiber optic cable.

- Durable no-sharpen ceramic blades for long life
- Easily trims tough Kevlar strands
- Lasts up to 50 times longer than stainless blades
- Lifetime warranty

Technical	
Weight	2 oz. (57 g)
Length	5.75" (146 mm)

Ordering	Part number
Ceramic-blade Kevlar cutter	1510



Economy Kevlar Cutter

Great on thin strands! Economical scissors for cutting protective Kevlar strands in fiber optic cable have serrated edge.

- Hard-chromed steel blades for utility applications
- One-year warranty

Technical	
Weight	2 oz. (57 g)
Length	7.75" (197 mm)

Ordering	Part number
Economy Kevlar cutter	1511



1912



1905



901513.1



Datacomm Scissors & Knife Kit

New The cable-splicing kit in a leather pouch is designed for cutting cable, telephone wire and stripping insulation. Fiskars® datacomm scissors feature an ergonomic design for the professional user. Our utility knife is specially designed to stay sharp and fit comfortably in your hand.

- Leather pouch slotted to fit 2" belts
- Fiskars® datacomm scissors feature an ergonomic design for the professional user
- Fiskars® datacomm scissors are fastened with a solid steel rivet and have stainless steel blades to cut copper or fiber optic cables
- Utility knife has a full-size, no-slip textured handle
- One-year warranty

Technical	Weight
Kit 8 oz. (228 g)	
Knife	3 oz. (85 g)
Knife in pouch	5 oz. (143 g)
Scissors	2 oz. (57 g)
Pouch	2 oz. (57 g)
Dimensions (inches)	8.2" L x 2.5" W x 1.25" D
Dimensions (mm)	208 mm L x 64 mm W x 32 mm D

Ordering	Part number
Knife & scissors in leather pouch	1912
Knife in leather pouch	1911
Knife only	1905
Leather pouch only	1906
Replacement datacomm scissors	901513.1

Adjustable Jacket Stripper

New Perfect for cutting jackets off a variety of fiber optic cable.

- Adjustable blades from 10-30 AWG
- Economical tool for multiple cables
- One-year warranty

Technical	
Weight	3 oz. (86 g)
Length	5" (127 mm)

Ordering	Part number
Adjustable Jacket Stripper	1161

Fiber Optic Cable Slitters

Sacramento Electronics | Call (800) 367-8800



AM 25 Slitter

Get the original tool designed for slitting cable insulation! Strips and slits round cables from 0.18"-1.0" (4.5-25 mm) in diameter. Not suitable for polyethylene, polypropylene or XLP insulations.

- Adjustable cutting depth for insulation up to 0.18" (4.5 mm) thick
- Swivel blade for circular, longitudinal and spiral cuts
- Spare blade in handle
- Cable holding clip with integrated edge for removing slit insulation
- Laser-trimmed, stainless-steel blade for long use
- Slits PVC, Teflon and THHN
- Lifetime warranty

Technical

Weight	4.7 oz. (133 g)
Length	5.3" (135 mm)

Ordering	Part number
AM 25	1820
Replacement blade	2109

AM 35 Slitter

Get the original tool designed for slitting cable insulation! Strips and slits round cables from 1.0"-1.4" (25-35 mm) in diameter. Not suitable for polyethylene, polypropylene or XLP insulations.

- Adjustable cutting depth for insulation up to 0.18" (4.5 mm) thick
- Swivel blade for circular, longitudinal and spiral cuts
- Spare blade in handle
- Cable holding clip with integrated edge for removing slit insulation
- Laser-trimmed, stainless-steel blade for long use
- Slits PVC, Teflon and THHN
- Lifetime warranty

Technical

Weight	5.0 oz. (141 g)
Length	5.5" (140 mm)

Ordering	Part number
AM 35	1821
Replacement blade	2109

Round Cable Slitter

New Slits and strips round cables with a diameter of 0.18" to 1.40". Quickly removes insulation without nicking conductor. For power and telecommunication cables 500-1200 MCM. Not suitable for polyethylene, polypropylene or XLP insulations.

- Precision stripping and slitting of rubber, PVC, nylon and most insulation materials
- Adjustable depth of cut
- Circumferential, longitudinal and spiral cuts
- Cable is supported during use
- Cable support arm edge is used to pry off thick insulation
- Laser-trimmed, stainless-steel blade for long use
- A perfect tool for mid-point taps
- One-year warranty

Technical

Weight	7 oz. (200 g)
Length	5.7" (145 mm)

Ordering	Part number
Round cable slitter	1822
Replacement blade	2109



1300 Series Crimpers

The 1300 series, interchangeable-die crimp tool is the answer for precision crimping at an affordable price. These tools crimp the most popular connectors. See crimp chart for specific connector and crimp dimensions.

- Long lasting tool
- Easy to use and maintain
- Fully-ratcheting cycle with built-in safety release
- Interchangeable dies constructed of heat-treated steel for long life
- EZI-Change® die screws make changing dies quick and easy
- Ergonomically-designed handles for effortless operation
- Foam-lined case available for keeping dies and crimper frame together (P/N 901013)
- Choose from complete tool with die set inserted or separate tool frame and individual die sets
- Five-year warranty

Technical	Weight	Length
	10.4 oz (296 g)	8.9" (225 mm)

Ordering	Part number
Crimp tool frame	1302
Replacement EZI-Change® die screws (2)	2303
Replacement fixed die screws (2)	2306
Replacement handles	1300.9
1300 crimp case	901013

	Tool w/ Die Set	Die Set Only	Description	Crimp style/ manufacturer
	1362 New	2652	SMA, SMB, SFR, ST, SC Type 0.128"/0.151"/0.215"/0.197"/0.178" HEX	Universal for sleeves and ferrules, SCII, FC, SMA
	1330	2043	SMA/FC Type 0.213"/0.178"/0.151" HEX	Crimps ferrules and sleeves Only, SMA, FC
	1331	2030	SRF and SMF Type 0.190"/0.160"/0.132" RND	Crimps ferrules and sleeves AMP (Tyco)
	1364 New	2654	Lucent Technologies SC Type 0.190" HEX/0.105" RND/0.090" RND	Crimps ferrules and sleeves Lucent SC
	1369 New	2669	3M SC/FC-3 0.120" RND/0.137" RND/0.190" RND	Connectors with round crimp 3M SC/FC Type Fiber

CrimpALL™ Series Crimpers

New The new 8000 Series CrimpALL™ crimp tools have four important ergonomic features that improve user satisfaction and job comfort:

1. An angled head prevents awkward wrist bending during operation.
2. Reduced handle grip distance is comfortable for workers with both small & large hands.
3. The higher crimp force is produced with a lower hand force so your hand doesn't get tired so quickly.
4. No breakover hand force, the effort required by most crimpers to make the last click at the end of the crimp, is required to complete the crimp.

Our standard die sets fit into the CrimpALL. Soft embedded-rubber handles make this crimp tool extremely comfortable to use. This tool is manufactured for a long life span using fine blanking technologies and a double-plated jaw assembly. A safety release is built-in. This world-class crimp tool is an exceptional value. See crimp chart for specific connector and crimp dimensions.

- Ergonomic design
- Comfortable rubber-embedded handles
- Less hand force needed to crimp connectors
- Long-lasting tool that delivers over 50,000 crimp cycles
- Ultra-smooth, fully-ratcheting cycle with built-in safety release
- Rugged, double-plated jaw assembly
- EZI-Change® die screws make changing dies quick and easy and fixed die screws for tight spaces
- Choose from complete tool with die set inserted or separate tool frame and individual die sets
- 10-year warranty



Rubber-embedded handles make a comfortable, non-slip grip



Technical	Weight	Length
	21 oz (600 g)	9.84" (250 mm)

Ordering	Part number
Crimp tool frame	8000
Replacement EZI-Change® die screws (2)	2303
Replacement fixed die screws (2)	2306
Replacement handles	8000.9

	Tool w/ Die Set	Die Set Only	Description/Crimp Sizes/Crimp Style	Connector Manufacturer or Remarks
	8017 New	2652	SMA, SMB, SFR, ST, SC Type 0.128"/0.151"/0.215"/0.197"/0.178" HEX	Universal for sleeves and ferrules, SCII, FC, SMA
	8018 New	2043	SMA/FC Type 0.213"/0.178"/0.151" HEX	Crimps ferrules and sleeves only, SMA, FC
	8019 New	2030	SRF and SMF Type 0.190"/0.160"/0.132" RND	Crimps ferrules and sleeves AMP (Tyco)
	8020 New	2654	Lucent Technologies SC Type 0.190" HEX/0.105" RND/0.090" RND	Crimps ferrules and sleeves Lucent SC
	8037 New	2669	3M SC/FC-3 0.120" RND/0.137" RND/0.190" RND	Connectors with round crimp 3M SC/FC Type Fiber



Die sets are available for coax, fiber optic, terminal and wire ferrule applications.



Precision ratchet for precision crimping.

1600 Crimp Tools

Professional-quality crimping tools for fiber optic cable connectors. See crimp chart for specific connector and crimp dimensions.

- Precision-calibrated crimp profiles
- Finest-quality tool steel
- Ergonomically shaped handles for comfort and performance
- Small grip distance
- Interchangeable die system for some crimpers, fixed die sets on others
- Lifetime warranty

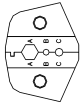

Technical

Weight 19 oz. (538 g)

Ordering	Part number
Crimp tool frame	1600
Replacement handles	1600.9



Easy to use even if your hand has a small grip.

Tool w/die	1606 	1614 
Die set only	2044	2664
Connector	SC Type	SMA/SMB/FC/BICONIC Fiber
Cable	Fiber Optic	Fiber Optic
Crimp profile	0.190" HEX/0.105" RND/0.090" RND	0.213"/0.178"/0.151" HEX
Connector manufacturer(s)	Lucent SC ferrules & sleeves	SMA/SMB/FC BICONIC