



PT270P Series Pan/Tilt

INDOOR, LIGHT DUTY

Product Features

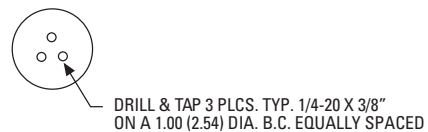
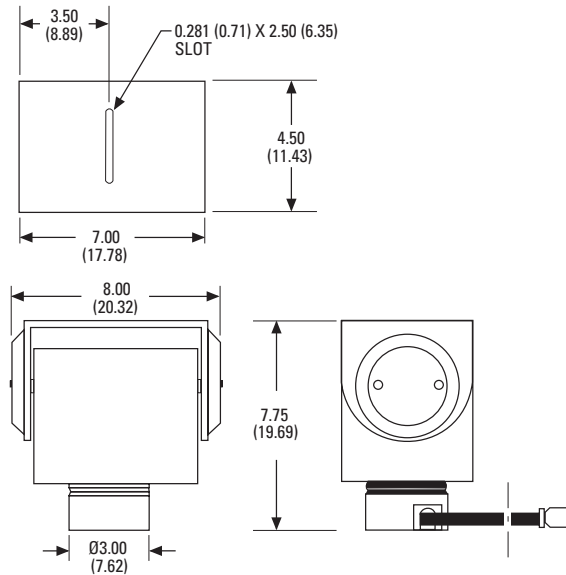
- "Mini" Pan/Tilt
- Easily Serviced
- Inverted Operation
- Indoor Applications
- External Limit Adjustments
- High Speed Pan Movement (12°/sec ±1°)
- 24 VAC or 120 VAC Operation
- Capable of Auto/Random Scan Operation when Used with Appropriate Control
- Maximum Load 15 Pounds (6.8 kg)



The **PT270 Series** of "mini" pan/tilts have been carefully engineered to accommodate the lighter, smaller, new generation of CCTV cameras. Small in size, but rugged in operation, the **PT270** measures only 7.75 inches (19.69 cm) high, 8 inches (20.32 cm) wide, and 4.50 inches (11.43 cm) deep. Ideally suited for indoor operation, this pan/tilt can be used in discreet enclosure applications or where space is a consideration.

The **PT270** features aluminum and steel construction and has long-life 24 VAC or 120 VAC motors capable of auto/random scan operation when used with the appropriate Pelco control.

The **PT270 Series** is capable of handling a maximum load of 15 pounds (6.8 kg), making it suitable for use with our EH3010 and other small enclosures.



NOTE: VALUES IN PARENTHESES ARE CENTIMETERS;
ALL OTHERS ARE INCHES.



C323 / REVISED 1-07



International Standards
Organization Registered Firm;
ISO 9001 Quality System



TECHNICAL SPECIFICATIONS

MODELS

PT270P Light duty mini pan/tilt, 120 VAC
 PT270-24P Light duty mini pan/tilt, 24 VAC

ELECTRICAL

Input Voltage
 PT270P 120 VAC, 60 Hz
 PT270-24P 24 VAC, 50/60 Hz

Power Requirements (Running)

| | Pan | Tilt |
|-----------|----------------|-----------------|
| PT270P | 0.06A (7.2 VA) | 0.07A (8.4 VA) |
| PT270-24P | 0.31A (7.4 VA) | 0.43A (10.3 VA) |

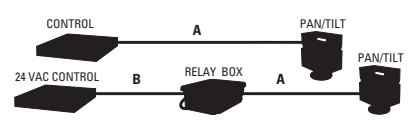
Connectors AMP CPC type (mate supplied)

Motors Two-phase induction type, instantaneous reversing

Limit Switches 5A each (pan/tilt); external adjustment

Conductor Requirements 6 or 7, unshielded (functions: left, right, up, down, motor common, safety ground). No additional conductors for auto scan when used with solid-state control

Maximum Operating Distances



| | Cable Size | Maximum Distance | |
|----------------------------------|-------------------------------|---------------------|---------------------|
| | | A | B |
| PT270-24P 6 Conductors | 20 AWG (0.5 mm ²) | 159 ft (48 m) | 5,800 ft (1,767 m) |
| | 18 AWG (1.0 mm ²) | 254 ft (77 m) | 8,250 ft (2,515 m) |
| | 16 AWG (1.5 mm ²) | 403 ft (123 m) | 13,000 ft (3,962 m) |
| 7* Conductors | 20 AWG (0.5 mm ²) | 274 ft (84 m) | |
| | 18 AWG (1.0 mm ²) | 437 ft (133 m) | |
| | 16 AWG (1.5 mm ²) | 694 ft (212 m) | |
| PT270P 6 Conductors | 20 AWG (0.5 mm ²) | 4,547 ft (1,386 m) | |
| | 18 AWG (1.0 mm ²) | 7,234 ft (2,205 m) | |
| | 16 AWG (1.5 mm ²) | 11,481 ft (3,499 m) | |

*Using 2 wire motor common

- Notes:**
- Distance (A) from control to pan/tilt is the same as distance from relay box to pan/tilt.
 - Maximum operating distance can be extended by using a low voltage control (24 VAC) and a relay box. Distance (B) from control to relay box is the same for all applications.
 - Distances are calculated with both motors (pan and tilt) running and assuming a 10% voltage drop in the cable.

MECHANICAL

Pan 0-355° movement in horizontal plane
 Speed 12°/sec ±1°

Tilt ±90° movement in vertical plane
 Speed 3°/sec ±0.5°

Maximum Load 15 lb (6.8 kg) at 2" (5.08 cm) from tilt table surface to center of gravity

Gearing Chain and sprocket final drive

Bearings Pan – Heavy duty ball bearings
 Tilt – Oilite bronze bushing

Braking Friction type

Duty Cycle 50% duty cycle; 30 minute rating

GENERAL

Construction Aluminum and steel; all internal parts corrosion protected

Finish Gray polyester powder coat

Environment Indoor; 32° to 120°F (0° to 49°C)

Unit Weight 9 lb (4 kg)

Shipping Weight 10 lb (4.5 kg)

CERTIFICATIONS/RATINGS

- CE, Class B (PT270-24P)
- UL Listed (PT270P, PT270-24P)
- Meets NEMA Type 1 standards

RECOMMENDED CONTROLS

Coaxitron or Matrix See individual specification sheets for information.

MPT24DT Desktop control for 24 VAC pan/tilt.

MPTAZ Series Desktop pan/tilt and zoom lens control with auto/random scan for 120/24 VAC pan/tilts.

RB115, RB24 Relay box for extended low voltage operation. Extends operating distance (control to relay box). For use with 120/24 VAC pan/tilts and 24 VAC output controls.

RECOMMENDED ENCLOSURE

EH3010/EH3014 Small, indoor enclosure
 EH4010/EH4014 Small, indoor enclosure
 EH3508/EH3512 Small, indoor/outdoor enclosure

RECOMMENDED MOUNTS

PM14 Light duty wall mount; maximum load 20 lb (9.07 kg)

PM105 Medium duty wall mount; maximum load 40 lb (18.14 kg)



Pelco Worldwide Headquarters:
 3500 Pelco Way, Clovis, California 93612-5699 USA
USA & Canada Tel: (800) 289-9100 • FAX (800) 289-9150
International Tel: (559) 292-1981 • FAX (559) 348-1120
www.pelco.com

Pelco and the Pelco logo are registered trademarks of Pelco.
 Specifications subject to change without notice.
 ©Copyright 2007, Pelco. All rights reserved.