

(4) 7/16 ϕ MT'G HOLES

15.0 KVA 1 PHASE 50/60 HERTZ

150 °C RISE 220 °C CLASS INS.

PRIMARY VOLTAGE 190/200/208/220-380/400/415/440

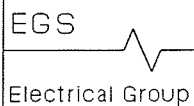
SECONDARY VOLTAGE 110/220

APPROX. TOTAL WEIGHT = 0 LBS

VENTILATED ENCLOSURE

CATALOG NO. ES14H15S

REVISIONS	REV	ECR NO	DESCRIPTION	DATE	BY	API

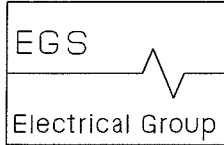


SOLA/
HEVI-DUTY
(800) 377-4384

DR. DB
DT. 11/30/2006
CH. DB

NAME: OUTLINE DRAWING

DWG. NO. 0142E14T80



HEVI-DUTY

GENERAL PURPOSE TRANSFORMER

CATALOG NO. ES14H15S
 150 KVA 1 PHASE 50/60 HERTZ
 HV 190/-/440 355 %IZ
 LV 110/220 L.V. AMPS 68
 150 °C RISE TYPE ENCL. 1 WEIGHT 0 LBS.
 UL TYPE 3R IF USED WITH WEATHER SHIELD #NONE
 MINIMUM CLEARANCE 0.75 INCHES SIDES AND
 60 INCHES FRONT AND REAR
 WIRING DIAGRAM ON INSIDE FRONT COVER.



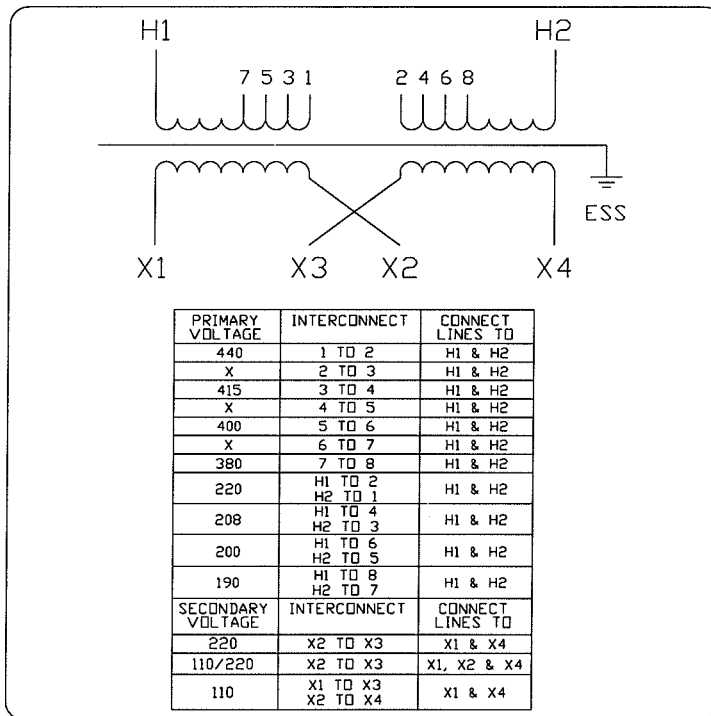
DE-ENERGIZE TRANSFORMER
 BEFORE REMOVING COVER



CLASS AA 220 INSULATION SYSTEM

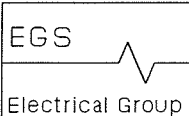
CUSTOMER NO.

DESIGN NO. 0142E14T00



REF DIAGRAM = VC660009

REVISIONS	REV	ECR NO	DESCRIPTION	DATE	BY	APP'D



SOLA/
 HEVI-DUTY
 (800) 377-4384

DR DB
 DT. 11/30/2006
 CH DB

NAME: NAME PLATE

DWG. NO. 0142E14T90