

SBE - Copper Wound, Open Style Design

SBE performance in larger VA (1500 - 5000) sizes

The open style SBE Series provides voltage regulation in excess of NEMA recommendations without exceeding **55°C rise**. These higher power capacity transformers are the best choice when 80% or more of the load components are electromagnetic devices.

Features

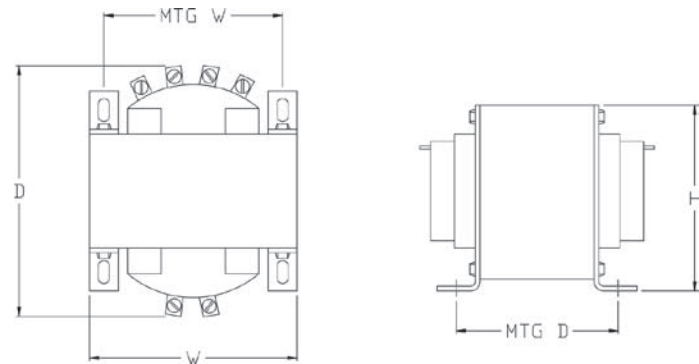
- Interleaved copper windings reduce I²R losses and maximize efficiency.
- Ratings 60 Hz unless noted 50/60 Hz
- Meets or exceeds electrical requirements of NEMA, ANSI, NMTBA and JIC
- UL listed (File #E77014)
- CSA certified (File #LR-14328-4)
- 55°C rise, 105°C insulation system
- High quality silicon steel core

Related Products

- Linear Power Supplies
- DIN Rail DC Power Supplies
- Constant Voltage Transformers
- Line Reactors



SBE Design Style

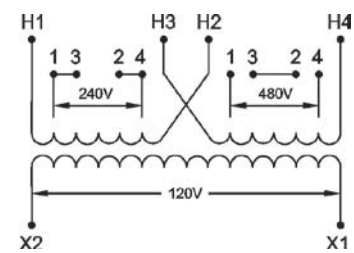


Selection Table

Group 1 – 240 X 480 Volt Primary, 120 Volt Secondary 60 Hz
 230 X 460 Volt Primary, 115 Volt Secondary 50/60 Hz
 220 X 440 Volt Primary, 110 Volt Secondary 50/60 Hz



VA	Catalog Number	Height (inch)	Width (inch)	Depth (inch)	Mtg Width	Mtg Depth	Slot Size	Approx. Ship Weight (lbs)
1500	Y1500	6.25	6.75	8.75	5.75	6.38	.44 x .69	43
2000	Y2000	6.25	6.75	10	5.75	7.75	.44 x .69	55
3000	Y3000	8	9	9.63	8	6	.44 x .69	74
5000	Y5000	8	9	12	8	8.75	.44 x .69	120



Note: Fuse holders are not available for this voltage configuration.